

STYLO 8K01MB-0570



CAME 



24V SWING GATE KIT FOR A PAIR OF GATES

Up to 100kg @ 1.8m or up to 150kg @ 0.8m per leaf



Code	Description	Quantity
001 STYLO-ME 	Irreversible gearmotor with encoder for swing gates measuring up to 1.8 m in length per leaf.	2
001 STYLO-BS	Articulated drive arm.	2
002 ZL92Z	Control panel for two-leaved swing gates with functions display, self-diagnosing safety devices and on-board radio programming.	1
001 AF43S	Plug-in radio-frequency control card	1
806TS-0270	TOP44RBN - Four-channel 433.92 MHz rolling code transmitter. 4,294,967,896 combinations.	2
001 TOP-A433N	Tuned Antenna.	1
001 DIR10 	Pair of 12 - 24 V AC - DC outdoor photovoltaic cells – range 10 m.	1



STYLO-ME

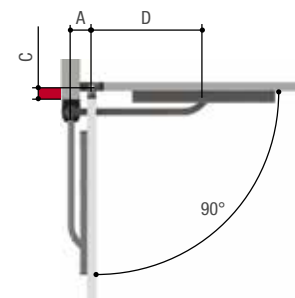
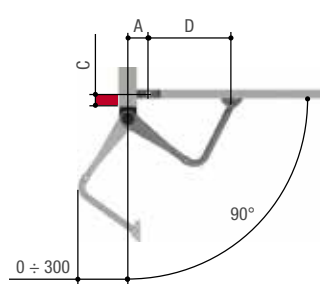
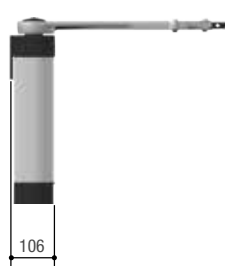
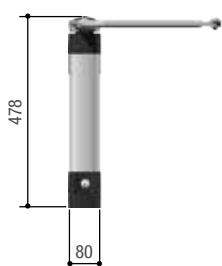
Gate leaves of up to 1,8 m



An ideal solution for applying to smaller sized posts

- Movement controlled by the encoder.
 - Compliance tested to meet UK standards.
 - For installing on gates with minimum width, starting from 8 cm, posts; even up against a wall or fence, thanks to the straight-arm option.
 - Can operate in emergency mode during power outages.
 - Reliable and sturdy even if smaller in size, thanks to its irreversible system.
 - Custom-key release system.
- Also available in the reversible version.

Dimensions (mm)



Application dimensions (mm)

ARTICULATED ARM				STRAIGHT ARM			
LEAF OPENING (°)	A	D	C Max.	LEAF OPENING (°)	A	D	C Max.
90	90	450	0	90	90	400	200
90	90	450	180	90	230	300	180
90	130	450	180	135	230	300	0
120	170	450	0				

Operational limits

MODEL	STYLO-ME
Max. width of leaf (m)	1,8
Max. weight of leaf (kg)	100
Max. leaf opening (°)	120 (with STYLO-BE arm) - 135 (with STYLO-BD arm)

Technical characteristics

MODELS	STYLO-ME
Protection rating (IP)	54
Power supply to motor (V)	24 DC
Absorption (A)	5 Max.
Power (W)	48
Maneuvering time at 90° (s)	ADJUSTABLE
Duty/cycle (%)	HEAVY-DUTY SERVICE
Torque (Nm)	100
Operating temperature (°C)	-20 ÷ +55

STYLO-BS

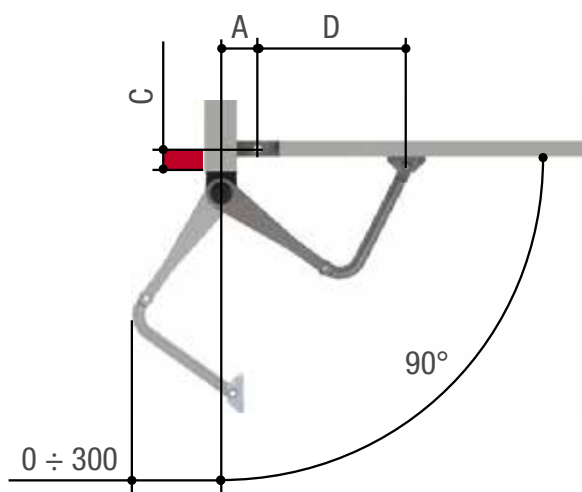
Gate leaves of up to 1,8 m

Articulated drive arm

- Suitable for Stylo-ME and Stylo-RME.



Dimensions (mm)



Application dimensions (mm)

ARTICULATED ARM	STYLO-BS		
LEAF OPENING (°)	A	D	C Max.
90	90	450	0
90	90	450	180
90	130	450	180
120	170	450	0

ZL92Z

Control panel

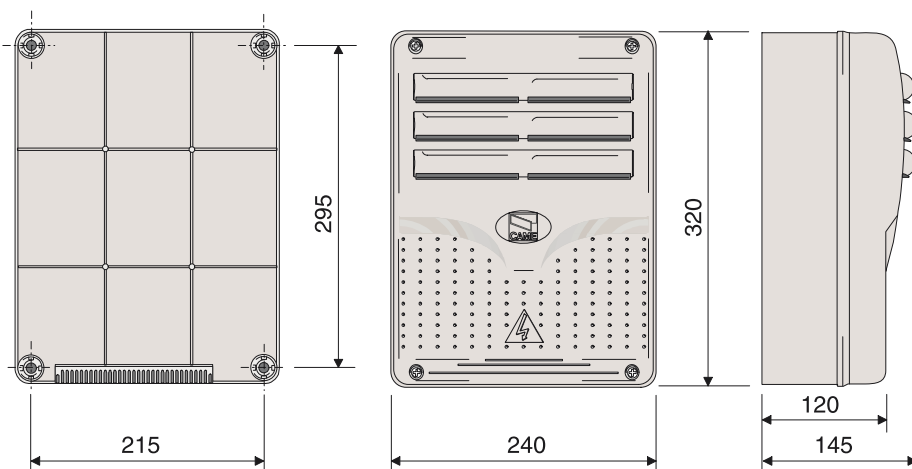
+
24
-



Control panel for 24V gearmotors

- The ZL92 control panel is engineered to command 24 V DC operators for swing gates of the STYLO, MYTO, FROG-J and AMICO series

Dimensions (mm)



Technical characteristics

MODEL	ZL92Z
Power supply	230 V - 50/60 Hz
Maximum rated power	300 W
Power draw when idle	110 mA
Maximum power for 24 V accessories	50 W
Insulation class of the circuits	II
Container material	ABS
Container protection rating	IP54
Working temperature	-20 / +55°C

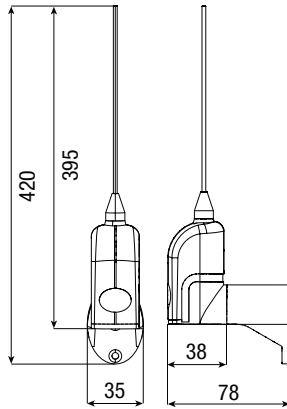
ACCESSORIES

TOPA433N

Tuned Antenna for 433.92Mhz



Dimensions (mm)



Operational limits

MODELS	TA433N
Max. range of radio (m)	50 ÷ 150

Technical characteristics

MODELS	TA433N
Radio signal frequency (Mhz)	433.92Mhz

AF43S

Radio frequency control card 433.92MHz



- Dip-switches for code and function selection
- Function enabling button
- Red signalling LED
- Green signalling LED
- Backup board
- Plug-in connector on receivers

Technical characteristics

MODELS	AF43S
Power supply (V±10%)	5
Current draw (mA)	5.5
Encoding type	ASK
Operating temperature (°C)	-20 to +55
Sensitivity (dBm)	-107

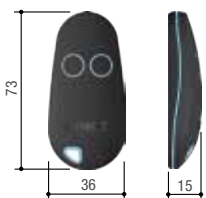
TOP44RBN

Rolling code 433.92 radio control



- Self-learning from transmitter to transmitter.
- Self-learning from TOP, TAM and TWIN series radio controls.
- More secure thanks to the dynamic code for the rolling code version.
- It can be configured remotely via gateway or locally via GAME KEY.

Dimensions (mm)



Operational limits

MODELS	806TS-0270
Max. range of radio (m)	50 ÷ 150

Technical characteristics

MODELS	806TS-0270
Combinations	4.294.967.896
Radio signal frequency (Mhz)	433,92
Operating temperature (°C)	-20 ÷ +55
Material	POLYCARBONATE

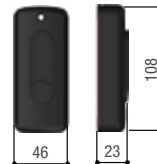
DIR10

Photocells



- Control the gate's area of movement
- Infrared beam, even synchronised, to prevent any external signal disturbances.
- For the DIR series photocells, there is a double-height post, and a new PVC version of the post, for installing in entry and exit points where heavy vehicles drive through.
- High degree of protection against weathering.

Dimensions (mm)



Operational limits

MODELS	DIR10
Max. range of radio (m)	10

Technical characteristics

MODELS	DIR10
Protection rating (IP)	54
Power supply (V)	12 - 24 AC - DC
Absorption	60
Max. rating of 24 V (A) relay contacts	0,5
Operating temperature (°C)	-20 ÷ +55
Material	ABS - POLYCARBONATE