

# STYLO 8K01MB-0571




CAME 



## 24V SWING GATE KIT FOR A PAIR OF GATES

Up to 100kg @ 1.8m or up to 150kg @ 0.8m per leaf



Code	Description	Quantity
001 <b>STYLO-ME</b> 	Irreversible gearmotor with encoder for swing gates measuring up to 1.8 m in length per leaf.	2
001 <b>STYLO-BS</b>	Articulated drive arm.	2
<b>ZLX24S</b> 	Multifunctional control panel, with 230 V AC power supply, for 24 V double-leaf gates, with programming and graphical signaling display, self-diagnosis of safety devices, Adaptive Speed & Torque Technology, CXN BUS, 4 safety inputs and storage for up to 1000 users.	1
001 <b>AF43S</b>	Plug-in radio-frequency control card	1
<b>806TS-0270</b>	TOP44RBN - Four-channel 433.92 MHz rolling code transmitter. 4,294,967,896 combinations.	2
001 <b>TOP-A433N</b>	Tuned Antenna.	1
<b>806TF-0100</b> 	Pair of surface mounted synchronised infra-red beam BUS photocells.	1



# STYLO-ME

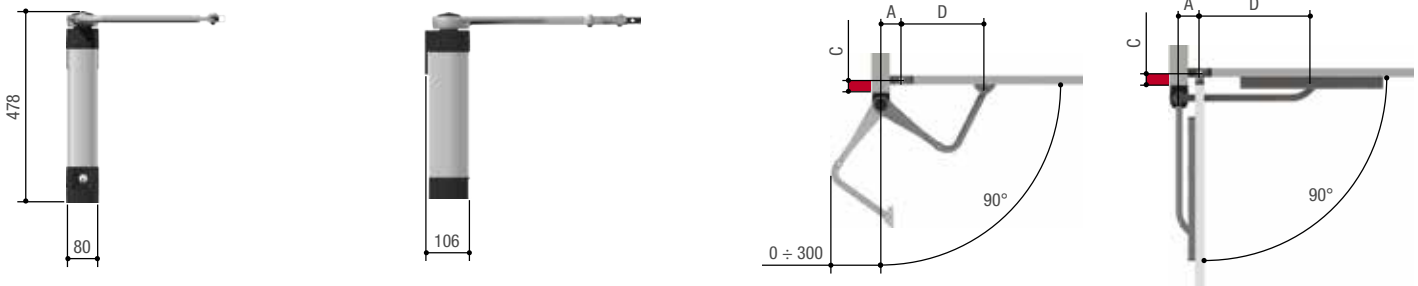
Gate leaves of up to 1,8 m



## An ideal solution for applying to smaller sized posts

- Movement controlled by the encoder.
  - Compliance tested to meet UK standards.
  - For installing on gates with minimum width, starting from 8 cm, posts; even up against a wall or fence, thanks to the straight-arm option.
  - Can operate in emergency mode during power outages.
  - Reliable and sturdy even if smaller in size, thanks to its irreversible system.
  - Custom-key release system.
- Also available in the reversible version.

## Dimensions (mm)



## Application dimensions (mm)

ARTICULATED ARM				STYLO-BS				STRAIGHT ARM				STYLO-BD				
LEAF OPENING (°)	A	D	C Max.	LEAF OPENING (°)	A	D	C Max.	LEAF OPENING (°)	A	D	C Max.	LEAF OPENING (°)	A	D	C Max.	
90	90	450	0	90	90	400	200	90	90	230	300	180	90	90	450	0
90	90	450	180	90	230	300	180	135	230	300	0					
90	130	450	180													
120	170	450	0													

## Operational limits

MODEL	STYLO-ME
Max. width of leaf (m)	1,8
Max. weight of leaf (kg)	100
Max. leaf opening (°)	120 (with STYLO-BS arm) - 135 (with STYLO-BD arm)

## Technical characteristics

MODELS	STYLO-ME
Protection rating (IP)	54
Power supply to motor (V)	24 DC
Absorption (A)	5 Max.
Power (W)	48
Maneuvering time at 90° (s)	ADJUSTABLE
Duty/cycle (%)	HEAVY-DUTY SERVICE
Torque (Nm)	100
Operating temperature (°C)	-20 ÷ +55

# STYLO-BS

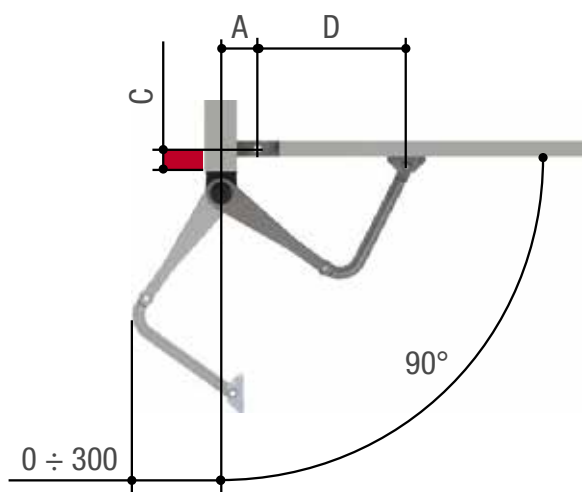
Gate leaves of up to 1,8 m

## Articulated drive arm

- Suitable for Stylo-ME and Stylo-RME.



## Dimensions (mm)



## Application dimensions (mm)

ARTICULATED ARM	STYLO-BS		
LEAF OPENING (°)	A	D	C Max.
90	90	450	0
90	90	450	180
90	130	450	180
120	170	450	0

# ZLX24S

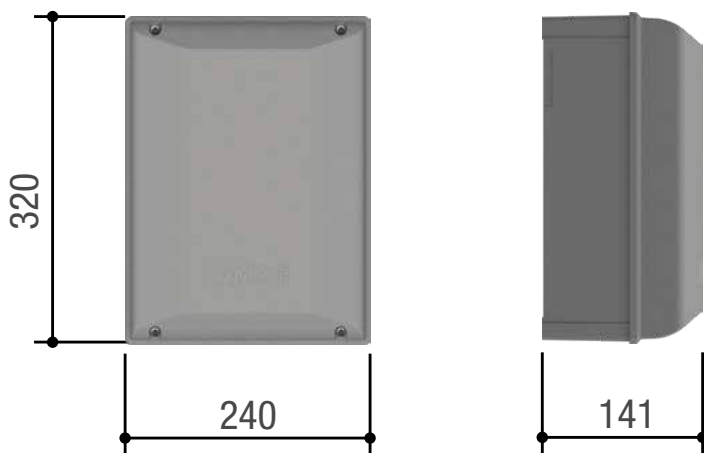
Control panel



## Control panel for 24V gearmotors

- Multifunction control panel for swing gates with two leaves. Graphic programming display and signalling and self-diagnostics using safety devices.

## Dimensions (mm)



## FUNCTIONS

MODEL	801QA-0060
Settable safety inputs	4
CNX BUS inputs	YES
Output B1 - B2	YES
RIO System 2.0	YES
CAME KEY and Gateway slot	YES
Adaptive Speed and Torque Technology	YES
Virtual Encoder management	YES
Users number	1000
Clock module	YES
PCB plastic cover	YES

## TECHNICAL FEATURES

MODEL	801QA-0060
Protection rating (IP)	54
Power supply (V - 50/60 Hz)	230 AC
Operating temperature (°C)	-20 ÷ +55
RAL color	7024
Cabinet material	ABS

- 24 V DC

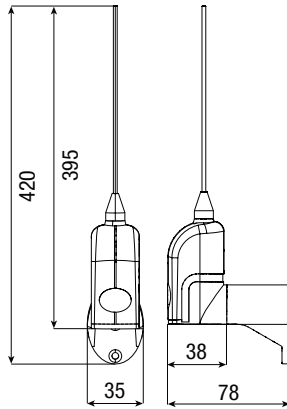
# ACCESSORIES

## TOPA433N

Tuned Antenna for 433.92Mhz



### Dimensions (mm)



### Operational limits

MODELS	TA433N
Max. range of radio (m)	50 ÷ 150

### Technical characteristics

MODELS	TA433N
Radio signal frequency (Mhz)	433.92Mhz

## AF43S

Radio frequency control card 433.92MHz



- Dip-switches for code and function selection
- Function enabling button
- Red signalling LED
- Green signalling LED
- Backup board
- Plug-in connector on receivers

### Technical characteristics

MODELS	AF43S
Power supply (V±10%)	5
Current draw (mA)	5.5
Encoding type	ASK
Operating temperature (°C)	-20 to +55
Sensitivity (dBm)	-107

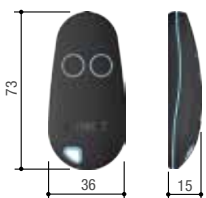
## TOP44RBN

Rolling code 433.92 radio control



- Self-learning from transmitter to transmitter.
- Self-learning from TOP, TAM and TWIN series radio controls.
- More secure thanks to the dynamic code for the rolling code version.
- It can be configured remotely via gateway or locally via GAME KEY.

### Dimensions (mm)



### Operational limits

MODELS	806TS-0270
Max. range of radio (m)	50 ÷ 150

### Technical characteristics

MODELS	806TS-0270
Combinations	4.294.967.896
Radio signal frequency (Mhz)	433,92
Operating temperature (°C)	-20 ÷ +55
Material	POLYCARBONATE

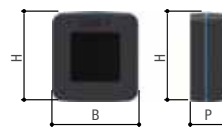
## DLX BUS

Photocells



- Control the gate's area of movement
- It can synchronize up to eight pairs of photocells, with no disturbances, plus no wiring required between the transmitter and the receiver.
- Adjustment of the infrared beam range from 10 to 30 meters.
- Filter function to prevent false detections due to bad weather or direct sunlight.
- Settable contact output so the photocell can double as a control device.
- Alignment function between transmitter and receiver.

### Dimensions (mm)



### Operational limits

MODELS	806TF-0100
Max. range of radio (m)	30

### Technical characteristics

MODELS	806TF-0100
Protection rating (IP)	54
Power supply (V)	CXN BUS
Absorption	-
Max. rating of 24 V (A) relay contacts	-
Operating temperature (°C)	-20 ÷ +55
Material	ABS – ALUMINIUM