

FROG-AE 8K01MI-0510






CAME 



230V SWING GATE KIT FOR A SINGLE GATE

Up to 400kg @ 3.5m or up to 800kg @ 2m



| Code | Description | Quantity |
|---|---|----------|
| 001 FROG-AE  | Irreversible gearmotor for swing gates of up to 3.5 m per leaf, with built in adjustable opening and closing stops. | 1 |
| 001 FROG-CFN | Foundation box in steel with cataphoresis treatment, complete with unlocking lever, fixing bracket to the gate and screw for adjusting the limit switch point in opening | 1 |
| 002 ZM3EZ    | Multifunction control panel for swing gates with two leaves, graphic alerts display, testing of safety circuits for CAT 2 safety products and on-board radio programming. | 1 |
| 001 A4364 | Release device with lever key. | 1 |
| 001 AF43S | Plug-in radio-frequency control card | 1 |
| 806TS-0270 | TOP44RBN - Four-channel 433.92 MHz rolling code transmitter. 4,294,967,896 combinations. | 2 |
| 001 TOP-A433N | Tuned Antenna. | 1 |
| 806TF-0080  | Pair of surface mounted synchronised infra-red beam photocells. | 1 |



FROG-AE

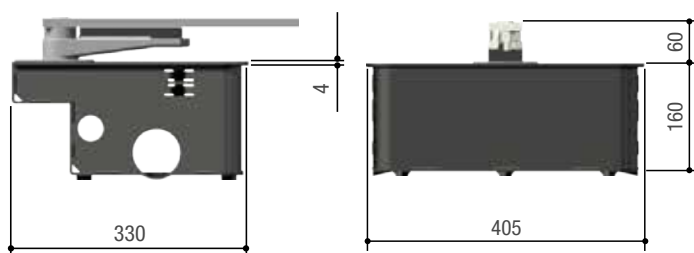
Gate leaves of up to 1.8 m



Below-ground solution suitable for fitting to gates in single homes and apartment buildings.

- The invisible solution to power your gate.
- High degree of protection against weathering (IP67).
- System automatically resets after the gate is manually released.
- Can open up to 180° (with the FL-180 accessory).
- FROG-AE and FROG-A24E with encoder technology, tested in compliance with current regulatory standards.
- Special steel foundation box with rustproof coating. Adjustable built-in leaf stops.

Dimensions (mm)



Operational limits

| MODEL | FROG-AE | | | |
|--------------------------|---------|------|-----|---|
| Max. width of leaf (m) | *3,5 | *2,5 | 2 | - |
| Max. weight of leaf (kg) | 400 | 600 | 800 | - |

NOTES: * We suggest fitting an electric lock onto the gate leaf.

Technical characteristics

| MODELS | FROG-AE |
|------------------------------|-----------------|
| Protection rating (IP) | 67 |
| Power supply (V - 50/60 Hz) | 230 AC |
| Power supply to motor (V) | 230 AC 50/60 Hz |
| Absorption (A) | 1,9 |
| Power (W) | 200 |
| Maneuvering time at 90° (s) | 18 |
| Duty/cycle (%) | 30 |
| Torque (Nm) | 320 |
| Operating temperature (°C) | -20 ÷ +55 |
| Motor's heat protection (°C) | 150 |

FROG-CFN

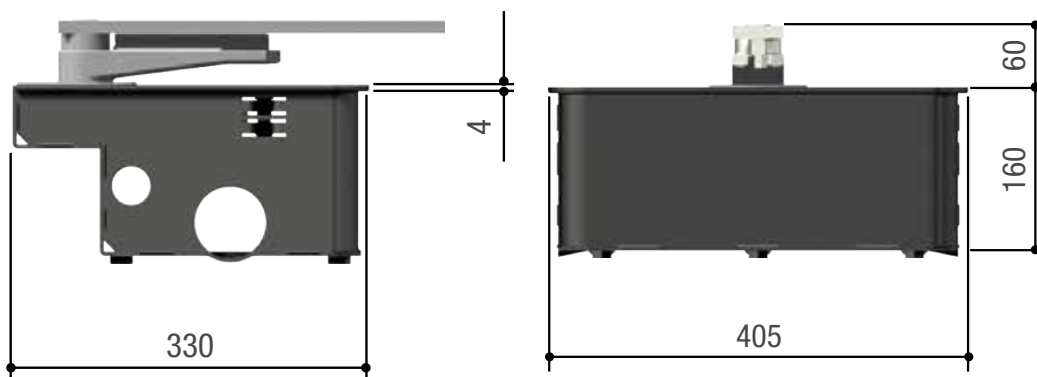
Foundation box

Foundation box in steel with cathoporesis treatment

- Complete with unlocking lever, fixing bracket to the gate and screw for adjusting the limit switch point in opening



Dimensions (mm)



ZM3EZ

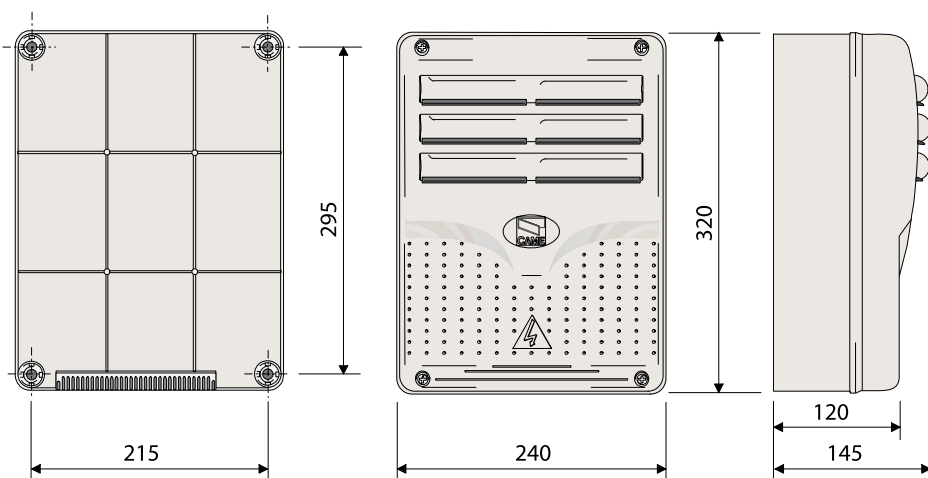
Control panel



Control panel for 230V gearmotors

- Multi-feature control panel for swing gates, with manageable limit-switches and slow-down speed adjusting.

Dimensions (mm)



Technical characteristics

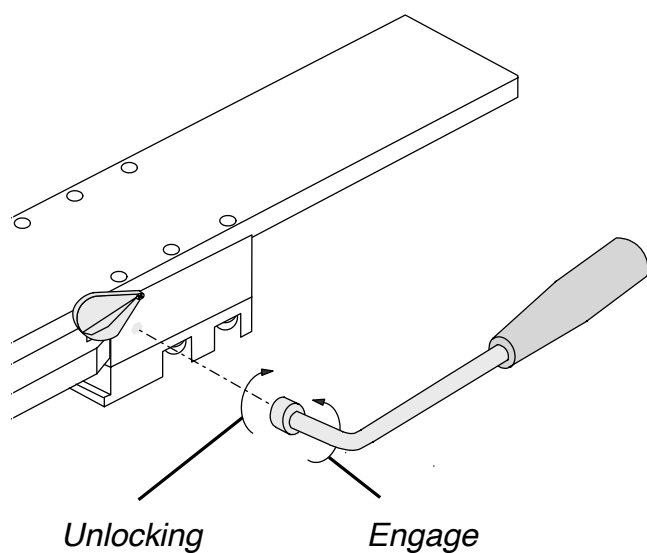
| | |
|--|-----------|
| MODEL | ZM3EZ |
| Power supply (V - 50/60 Hz) | 230 AC |
| Motor power supply (V) | 230 AC |
| Standby consumption (W) | 4,7 |
| Standby consumption with the RGP1 (W) module | 0,75 |
| Power (W) | 750 |
| Colour | RAL 7040 |
| Operating temperature (°C) | -20 ÷ +55 |
| Protection rating (IP) | 54 |
| Insulation class | II |

A4364

Mechanical release key

Mechanical release device with lever key for Frog motor.

- Unlocking mechanism
- Release device lever key
- 4 M8 x 35 cheese headed hexagonal socket screws
- 4 safety lock washer



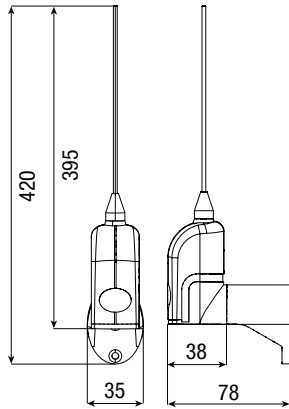
ACCESSORIES

TOPA433N

Tuned Antenna for 433.92Mhz



Dimensions (mm)



Operational limits

| MODELS | TA433N |
|-------------------------|----------|
| Max. range of radio (m) | 50 ÷ 150 |

Technical characteristics

| MODELS | TA433N |
|------------------------------|-----------|
| Radio signal frequency (Mhz) | 433.92Mhz |

AF43S

Radio frequency control card 433.92MHz



- Dip-switches for code and function selection
- Function enabling button
- Red signalling LED
- Green signalling LED
- Backup board
- Plug-in connector on receivers

Technical characteristics

| MODELS | AF43S |
|----------------------------|------------|
| Power supply (V±10%) | 5 |
| Current draw (mA) | 5.5 |
| Encoding type | ASK |
| Operating temperature (°C) | -20 to +55 |
| Sensitivity (dBm) | -107 |

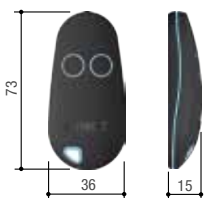
TOP44RBN

Rolling code 433.92 radio control



- Self-learning from transmitter to transmitter.
- Self-learning from TOP, TAM and TWIN series radio controls.
- More secure thanks to the dynamic code for the rolling code version.
- It can be configured remotely via gateway or locally via GAME KEY.

Dimensions (mm)



Operational limits

| MODELS | 806TS-0270 |
|-------------------------|------------|
| Max. range of radio (m) | 50 ÷ 150 |

Technical characteristics

| MODELS | 806TS-0270 |
|------------------------------|---------------|
| Combinations | 4.294.967.896 |
| Radio signal frequency (Mhz) | 433,92 |
| Operating temperature (°C) | -20 ÷ +55 |
| Material | POLYCARBONATE |

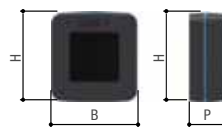
DLX

Photocells



- Control the gate's area of movement
- It can synchronize up to eight pairs of photocells, with no disturbances, plus no wiring required between the transmitter and the receiver.
- Adjustment of the infrared beam range from 10 to 30 meters.
- Filter function to prevent false detections due to bad weather or direct sunlight.
- Settable contact output so the photocell can double as a control device.
- Alignment function between transmitter and receiver.

Dimensions (mm)



Operational limits

| MODELS | 806TF-0080 |
|-------------------------|------------|
| Max. range of radio (m) | 30 |

Technical characteristics

| MODELS | 806TF-0080 |
|--|-----------------|
| Protection rating (IP) | 54 |
| Power supply (V) | 12 - 24 AC - DC |
| Absorption | 40 |
| Max. rating of 24 V (A) relay contacts | 0,5 |
| Operating temperature (°C) | -20 ÷ +55 |
| Material | ABS - ALUMINIUM |