

# FROG-AE 8K01MI-0515




CAME 



## 24V SWING GATE KIT FOR A PAIR OF GATES

Up to 400kg @ 3.5m or up to 800kg @ 2m per leaf



| Code  | Description   | Quantity |
|---|---|----------|
| 001 <b>FROG-A24E</b><br> | Irreversible gearmotor for swing gates of up to 3.5 m per leaf, with built in adjustable opening and closing stops.   | 2        |
| 001 <b>FROG-CFN</b>   | Foundation box in steel with cataphoresis treatment, complete with unlocking lever, fixing bracket to the gate and screw for adjusting the limit switch point in opening  | 2        |
| <b>ZLX24S</b><br>        | Multifunctional control panel, with 230 V AC power supply, for 24 V double-leaf gates, with programming and graphical signaling display, self-diagnosis of safety devices, Adaptive Speed & Torque Technology, CXN BUS, 4 safety inputs and storage for up to 1000 users. | 1        |
| 001 <b>A4364</b>  | Release device with lever key.  | 2        |
| 001 <b>AF43S</b>  | Plug-in radio-frequency control card  | 1        |
| <b>806TS-0270</b>   | TOP44RBN - Four-channel 433.92 MHz rolling code transmitter. 4,294,967,896 combinations.  | 2        |
| 001 <b>TOP-A433N</b>  | Tuned Antenna.  | 1        |
| 001 <b>DIR10</b><br>     | Pair of 12 - 24 V AC - DC outdoor photocells - range 10 m.  | 1        |



# FROG-A24E

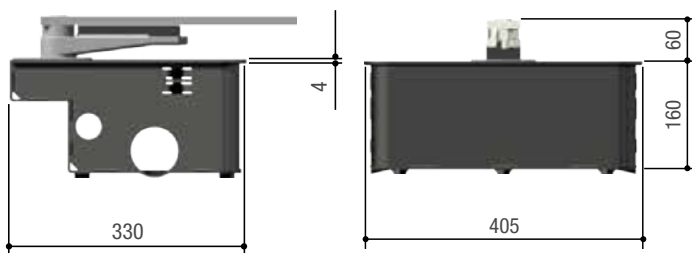
Gate leaves of up to 1.8 m



## Below-ground solution suitable for fitting to gates in single homes and apartment buildings.

- The invisible solution to power your gate.
- High degree of protection against weathering (IP67).
- System automatically resets after the gate is manually released.
- Can open up to 180° (with the FL-180 accessory).
- FROG-AE and FROG-A24E with encoder technology, tested in compliance with current regulatory standards.
- The 24 V DC versions can operate in emergency mode during power outages.
- Special steel foundation box with rustproof coating. Adjustable built-in leaf stops.

### Dimensions (mm)



### Operational limits

| MODEL                    | FROG-A24E |      |     |   |
|--------------------------|-----------|------|-----|---|
| Max. width of leaf (m)   | *3,5      | *2,5 | 2   | - |
| Max. weight of leaf (kg) | 400       | 600  | 800 | - |

NOTES: \* We suggest fitting an electric lock onto the gate leaf.

### Technical characteristics

| MODELS                       | FROG-A24E          |
|------------------------------|--------------------|
| Protection rating (IP)       | 67                 |
| Power supply (V - 50/60 Hz)  | -                  |
| Power supply to motor (V)    | 24 DC              |
| Absorption (A)               | 15 Max.            |
| Power (W)                    | 180                |
| Maneuvering time at 90° (s)  | ADJUSTABLE         |
| Duty/cycle (%)               | HEAVY-DUTY SERVICE |
| Torque (Nm)                  | 320                |
| Operating temperature (°C)   | -20 ÷ +55          |
| Motor's heat protection (°C) | -                  |

# FROG-CFN

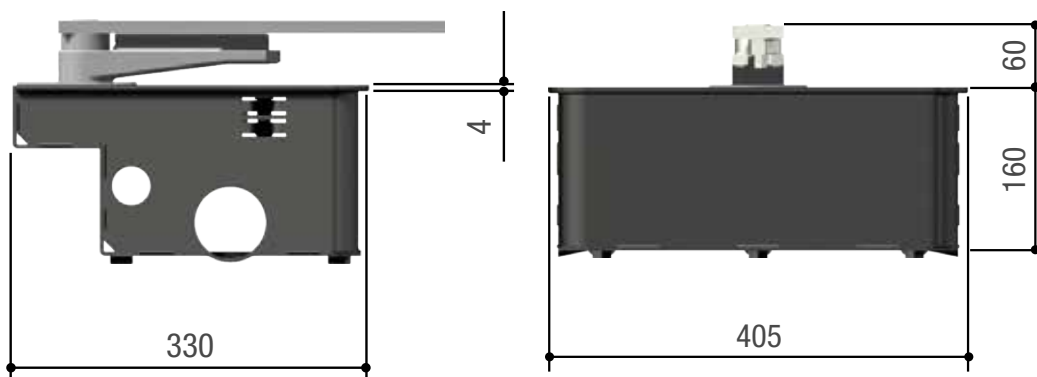
Foundation box

## Foundation box in steel with cathaphoresis treatment

- Complete with unlocking lever, fixing bracket to the gate and screw for adjusting the limit switch point in opening



### Dimensions (mm)



# ZLX24S

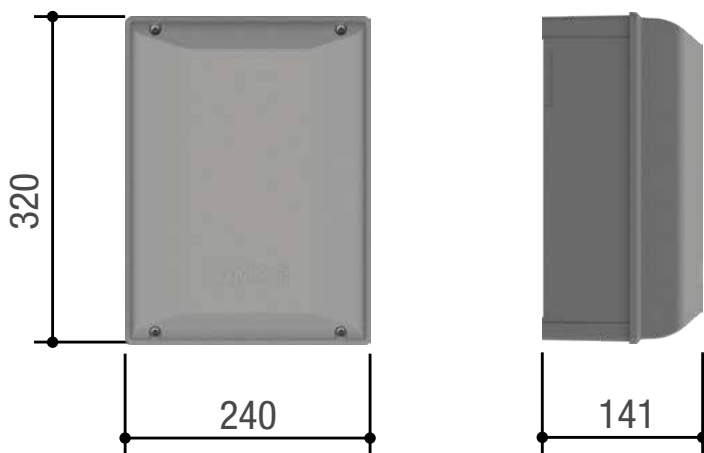
Control panel



## Control panel for 24V gearmotors

- Multifunction control panel for swing gates with two leaves. Graphic programming display and signalling and self-diagnostics using safety devices.

### Dimensions (mm)



### FUNCTIONS

| MODEL                                | 801QA-0060 |
|--------------------------------------|------------|
| Settable safety inputs               | 4          |
| CNX BUS inputs                       | YES        |
| Output B1 - B2                       | YES        |
| RIO System 2.0                       | YES        |
| CAME KEY and Gateway slot            | YES        |
| Adaptive Speed and Torque Technology | YES        |
| Virtual Encoder management           | YES        |
| Users number                         | 1000       |
| Clock module                         | YES        |
| PCB plastic cover                    | YES        |

### TECHNICAL FEATURES

| MODEL                       | 801QA-0060 |
|-----------------------------|------------|
| Protection rating (IP)      | 54         |
| Power supply (V - 50/60 Hz) | 230 AC     |
| Operating temperature (°C)  | -20 ÷ +55  |
| RAL color                   | 7024       |
| Cabinet material            | ABS        |

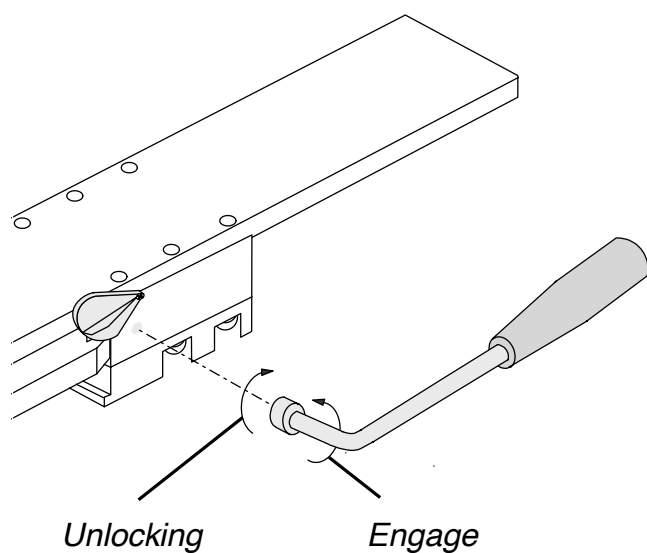
- 24 V DC

# A4364

Mechanical release key

## Mechanical release device with lever key for Frog motor.

- Unlocking mechanism
- Release device lever key
- 4 M8 x 35 cheese headed hexagonal socket screws
- 4 safety lock washer



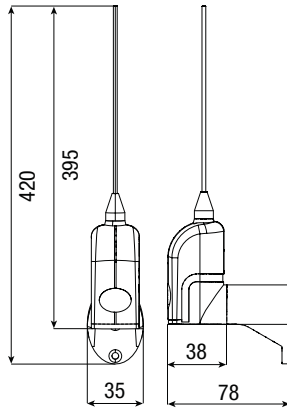
# ACCESSORIES

## TOPA433N

Tuned Antenna for 433.92Mhz



### Dimensions (mm)



### Operational limits

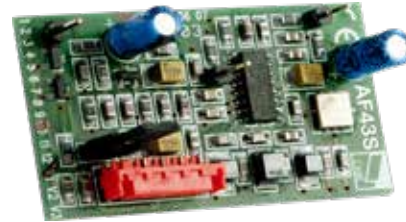
| MODELS                  | TA433N   |
|-------------------------|----------|
| Max. range of radio (m) | 50 ÷ 150 |

### Technical characteristics

| MODELS                       | TA433N    |
|------------------------------|-----------|
| Radio signal frequency (Mhz) | 433.92Mhz |

## AF43S

Radio frequency control card 433.92MHz



- Dip-switches for code and function selection
- Function enabling button
- Red signalling LED
- Green signalling LED
- Backup board
- Plug-in connector on receivers

### Technical characteristics

| MODELS                     | AF43S      |
|----------------------------|------------|
| Power supply (V±10%)       | 5          |
| Current draw (mA)          | 5.5        |
| Encoding type              | ASK        |
| Operating temperature (°C) | -20 to +55 |
| Sensitivity (dBm)          | -107       |

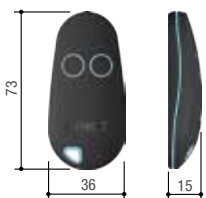
## TOP44RBN

Rolling code 433.92 radio control



- Self-learning from transmitter to transmitter.
- Self-learning from TOP, TAM and TWIN series radio controls.
- More secure thanks to the dynamic code for the rolling code version.
- It can be configured remotely via gateway or locally via GAME KEY.

### Dimensions (mm)



### Operational limits

| MODELS                  | 806TS-0270 |
|-------------------------|------------|
| Max. range of radio (m) | 50 ÷ 150   |

### Technical characteristics

| MODELS                       | 806TS-0270    |
|------------------------------|---------------|
| Combinations                 | 4.294.967.896 |
| Radio signal frequency (Mhz) | 433,92        |
| Operating temperature (°C)   | -20 ÷ +55     |
| Material                     | POLYCARBONATE |

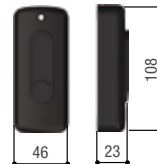
## DIR10

Photocells



- Control the gate's area of movement
- Infrared beam, even synchronised, to prevent any external signal disturbances.
- For the DIR series photocells, there is a double-height post, and a new PVC version of the post, for installing in entry and exit points where heavy vehicles drive through.
- High degree of protection against weathering.

### Dimensions (mm)



### Operational limits

| MODELS                  | DIR10 |
|-------------------------|-------|
| Max. range of radio (m) | 10    |

### Technical characteristics

| MODELS                                 | DIR10               |
|--|---------------------|
| Protection rating (IP)                 | 54                  |
| Power supply (V)                       | 12 - 24 AC - DC     |
| Absorption                             | 60                  |
| Max. rating of 24 V (A) relay contacts | 0,5                 |
| Operating temperature (°C)             | -20 ÷ +55           |
| Material                               | ABS - POLYCARBONATE |

# FROG-AE 8K01MI-0517




CAME 



## 24V SWING GATE KIT FOR A PAIR OF GATES

Up to 400kg @ 3.5m or up to 800kg @ 2m per leaf



| Code  | Description   | Quantity |
|---|---|----------|
| 001 <b>FROG-A24E</b><br> | Irreversible gearmotor for swing gates of up to 3.5 m per leaf, with built in adjustable opening and closing stops.   | 2        |
| 001 <b>FROG-CFN</b>   | Foundation box in steel with cathaphoresis treatment, complete with unlocking lever, fixing bracket to the gate and screw for adjusting the limit switch point in opening   | 2        |
| <b>ZLX24S</b><br>        | Multifunctional control panel, with 230 V AC power supply, for 24 V double-leaf gates, with programming and graphical signaling display, self-diagnosis of safety devices, Adaptive Speed & Torque Technology, CXN BUS, 4 safety inputs and storage for up to 1000 users. | 1        |
| 001 <b>A4364</b>  | Release device with lever key.  | 2        |
| 001 <b>AF43S</b>  | Plug-in radio-frequency control card  | 1        |
| <b>806TS-0270</b>   | TOP44RBN - Four-channel 433.92 MHz rolling code transmitter. 4,294,967,896 combinations.  | 2        |
| 001 <b>TOP-A433N</b>  | Tuned Antenna.  | 1        |
| <b>806TF-0100</b><br>    | Pair of surface mounted synchronised infra-red beam BUS photocells.   | 1        |



# FROG-A24E

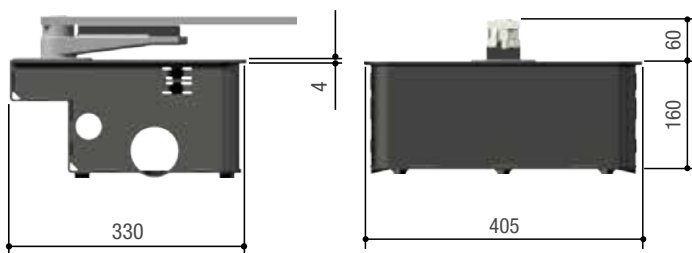
Gate leaves of up to 1.8 m



## Below-ground solution suitable for fitting to gates in single homes and apartment buildings.

- The invisible solution to power your gate.
- High degree of protection against weathering (IP67).
- System automatically resets after the gate is manually released.
- Can open up to 180° (with the FL-180 accessory).
- FROG-AE and FROG-A24E with encoder technology, tested in compliance with current regulatory standards.
- The 24 V DC versions can operate in emergency mode during power outages.
- Special steel foundation box with rustproof coating. Adjustable built-in leaf stops.

### Dimensions (mm)



### Operational limits

| MODEL                    | FROG-A24E |      |     |   |
|--------------------------|-----------|------|-----|---|
| Max. width of leaf (m)   | *3,5      | *2,5 | 2   | - |
| Max. weight of leaf (kg) | 400       | 600  | 800 | - |

NOTES: \* We suggest fitting an electric lock onto the gate leaf.

### Technical characteristics

| MODELS                       | FROG-A24E          |
|------------------------------|--------------------|
| Protection rating (IP)       | 67                 |
| Power supply (V - 50/60 Hz)  | -                  |
| Power supply to motor (V)    | 24 DC              |
| Absorption (A)               | 15 Max.            |
| Power (W)                    | 180                |
| Maneuvering time at 90° (s)  | ADJUSTABLE         |
| Duty/cycle (%)               | HEAVY-DUTY SERVICE |
| Torque (Nm)                  | 320                |
| Operating temperature (°C)   | -20 ÷ +55          |
| Motor's heat protection (°C) | -                  |



# FROG-CFN

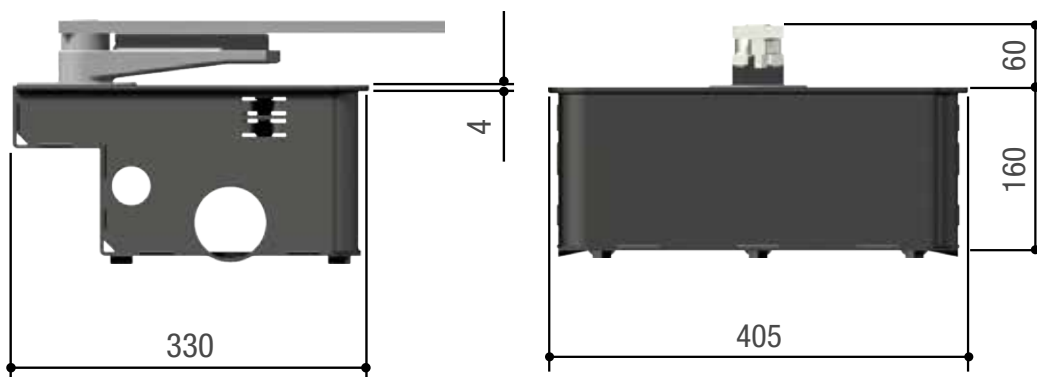
Foundation box

## Foundation box in steel with cataphoresis treatment

- Complete with unlocking lever, fixing bracket to the gate and screw for adjusting the limit switch point in opening



### Dimensions (mm)



# ZLX24S

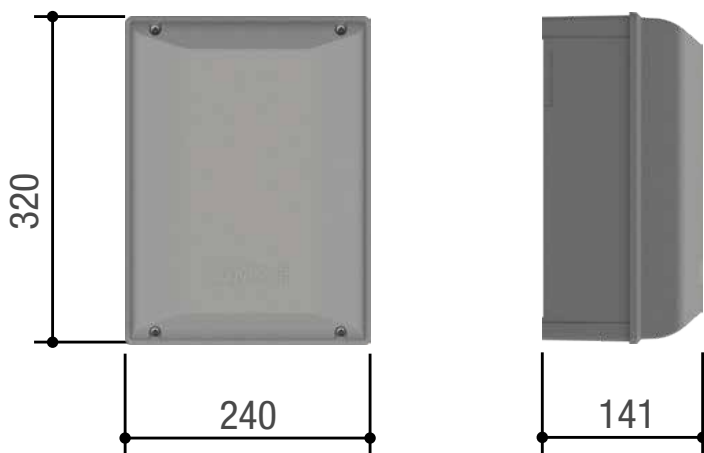
Control panel



## Control panel for 24V gearmotors

- Multifunction control panel for swing gates with two leaves. Graphic programming display and signalling and self-diagnostics using safety devices.

### Dimensions (mm)



### FUNCTIONS

| MODEL                                | 801QA-0060 |
|--------------------------------------|------------|
| Settable safety inputs               | 4          |
| CNX BUS inputs                       | YES        |
| Output B1 - B2                       | YES        |
| RIO System 2.0                       | YES        |
| CAME KEY and Gateway slot            | YES        |
| Adaptive Speed and Torque Technology | YES        |
| Virtual Encoder management           | YES        |
| Users number                         | 1000       |
| Clock module                         | YES        |
| PCB plastic cover                    | YES        |

### TECHNICAL FEATURES

| MODEL                       | 801QA-0060 |
|-----------------------------|------------|
| Protection rating (IP)      | 54         |
| Power supply (V - 50/60 Hz) | 230 AC     |
| Operating temperature (°C)  | -20 ÷ +55  |
| RAL color                   | 7024       |
| Cabinet material            | ABS        |

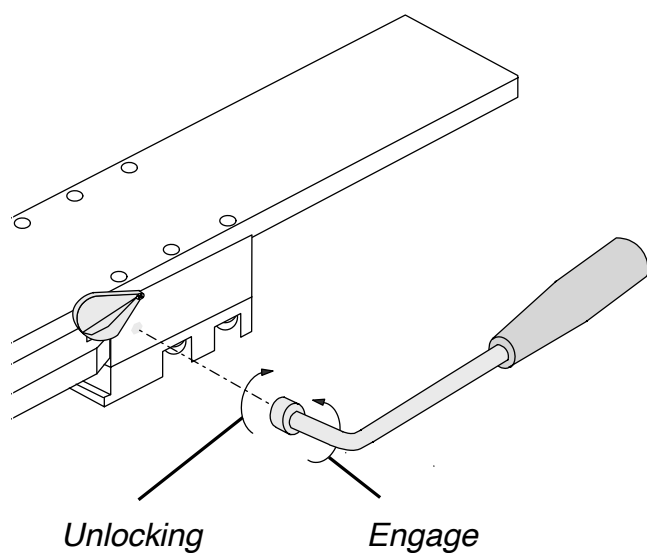
- 24 V DC

# A4364

Mechanical release key

## Mechanical release device with lever key for Frog motor.

- Unlocking mechanism
- Release device lever key
- 4 M8 x 35 cheese headed hexagonal socket screws
- 4 safety lock washer



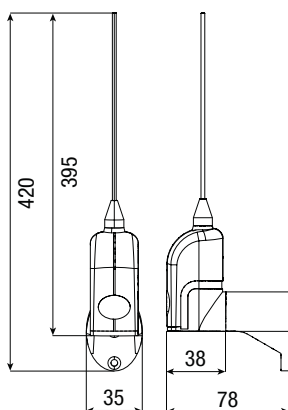
# ACCESSORIES

## TOPA433N

Tuned Antenna for 433.92Mhz



### Dimensions (mm)



### Operational limits

| MODELS                  | TA433N   |
|-------------------------|----------|
| Max. range of radio (m) | 50 ÷ 150 |

### Technical characteristics

| MODELS                       | TA433N    |
|------------------------------|-----------|
| Radio signal frequency (Mhz) | 433.92Mhz |

## AF43S

Radio frequency control card 433.92MHz



- Dip-switches for code and function selection
- Function enabling button
- Red signalling LED
- Green signalling LED
- Backup board
- Plug-in connector on receivers

### Technical characteristics

| MODELS                     | AF43S      |
|----------------------------|------------|
| Power supply (V±10%)       | 5          |
| Current draw (mA)          | 5.5        |
| Encoding type              | ASK        |
| Operating temperature (°C) | -20 to +55 |
| Sensitivity (dBm)          | -107       |

## TOP44RBN

Rolling code 433.92 radio control



- Self-learning from transmitter to transmitter.
- Self-learning from TOP, TAM and TWIN series radio controls.
- More secure thanks to the dynamic code for the rolling code version.
- It can be configured remotely via gateway or locally via GAME KEY.

### Dimensions (mm)



### Operational limits

| MODELS                  | 806TS-0270 |
|-------------------------|------------|
| Max. range of radio (m) | 50 ÷ 150   |

### Technical characteristics

| MODELS                       | 806TS-0270    |
|------------------------------|---------------|
| Combinations                 | 4.294.967.896 |
| Radio signal frequency (Mhz) | 433,92        |
| Operating temperature (°C)   | -20 ÷ +55     |
| Material                     | POLYCARBONATE |

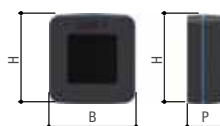
## DLX BUS

Photocells



- Control the gate's area of movement
- It can synchronize up to eight pairs of photocells, with no disturbances, plus no wiring required between the transmitter and the receiver.
- Adjustment of the infrared beam range from 10 to 30 meters.
- Filter function to prevent false detections due to bad weather or direct sunlight.
- Settable contact output so the photocell can double as a control device.
- Alignment function between transmitter and receiver.

### Dimensions (mm)



### Operational limits

| MODELS                  | 806TF-0100 |
|-------------------------|------------|
| Max. range of radio (m) | 30         |

### Technical characteristics

| MODELS                                 | 806TF-0100      |
|--|-----------------|
| Protection rating (IP)                 | 54              |
| Power supply (V)                       | CXN BUS         |
| Absorption                             | -               |
| Max. rating of 24 V (A) relay contacts | -               |
| Operating temperature (°C)             | -20 ÷ +55       |
| Material                               | ABS – ALUMINIUM |

# FROG-AE 8K01MI-0519




CAME 



## 24V SWING GATE KIT FOR A PAIR OF GATES

Up to 400kg @ 3.5m or up to 800kg @ 2m per leaf



| Code  | Description   | Quantity |
|---|---|----------|
| 001 <b>FROG-A24E</b><br> | Irreversible gearmotor for swing gates of up to 3.5 m per leaf, with built in adjustable opening and closing stops.   | 2        |
| 001 <b>FROG-CFN</b>   | Foundation box in steel with cathaphoresis treatment, complete with unlocking lever, fixing bracket to the gate and screw for adjusting the limit switch point in opening   | 2        |
| <b>ZLX24S</b><br>        | Multifunctional control panel, with 230 V AC power supply, for 24 V double-leaf gates, with programming and graphical signaling display, self-diagnosis of safety devices, Adaptive Speed & Torque Technology, CXN BUS, 4 safety inputs and storage for up to 1000 users. | 1        |
| 001 <b>A4364</b>  | Release device with lever key.  | 2        |
| 001 <b>AF43S</b>  | Plug-in radio-frequency control card  | 1        |
| <b>806TS-0250</b>   | TTS44RKS - Four-channel 433.92 MHz rolling code transmitter. 4,294,967,896 combinations.  | 2        |
| 001 <b>TOP-A433N</b>  | Tuned Antenna.  | 1        |
| <b>806TF-0100</b><br>    | Pair of surface mounted synchronised infra-red beam BUS photocells.   | 1        |



# FROG-A24E

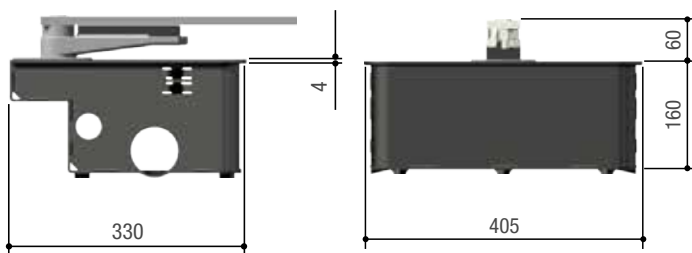
Gate leaves of up to 1.8 m



## Below-ground solution suitable for fitting to gates in single homes and apartment buildings.

- The invisible solution to power your gate.
- High degree of protection against weathering (IP67).
- System automatically resets after the gate is manually released.
- Can open up to 180° (with the FL-180 accessory).
- FROG-AE and FROG-A24E with encoder technology, tested in compliance with current regulatory standards.
- The 24 V DC versions can operate in emergency mode during power outages.
- Special steel foundation box with rustproof coating. Adjustable built-in leaf stops.

### Dimensions (mm)



### Operational limits

| MODEL                    | FROG-A24E |      |     |   |
|--------------------------|-----------|------|-----|---|
| Max. width of leaf (m)   | *3,5      | *2,5 | 2   | - |
| Max. weight of leaf (kg) | 400       | 600  | 800 | - |

NOTES: \* We suggest fitting an electric lock onto the gate leaf.

### Technical characteristics

| MODELS                       | FROG-A24E          |
|------------------------------|--------------------|
| Protection rating (IP)       | 67                 |
| Power supply (V - 50/60 Hz)  | -                  |
| Power supply to motor (V)    | 24 DC              |
| Absorption (A)               | 15 Max.            |
| Power (W)                    | 180                |
| Maneuvering time at 90° (s)  | ADJUSTABLE         |
| Duty/cycle (%)               | HEAVY-DUTY SERVICE |
| Torque (Nm)                  | 320                |
| Operating temperature (°C)   | -20 ÷ +55          |
| Motor's heat protection (°C) | -                  |

# FROG-CFN

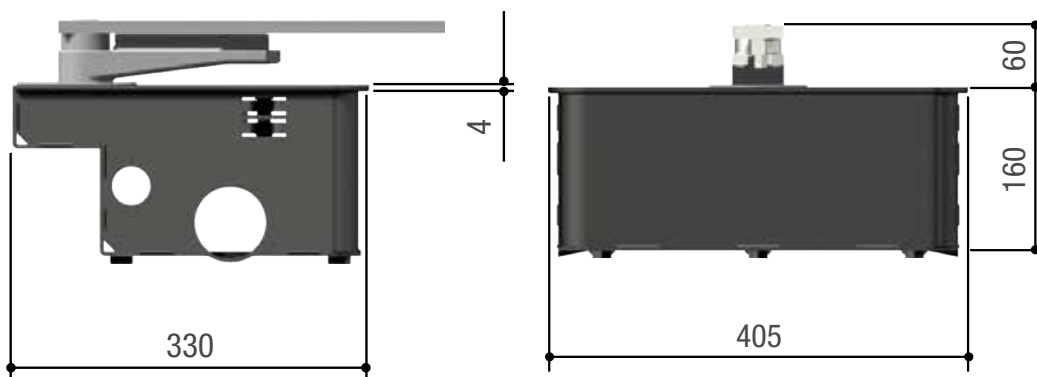
Foundation box

## Foundation box in steel with cathaphoresis treatment

- Complete with unlocking lever, fixing bracket to the gate and screw for adjusting the limit switch point in opening



### Dimensions (mm)



# ZLX24S

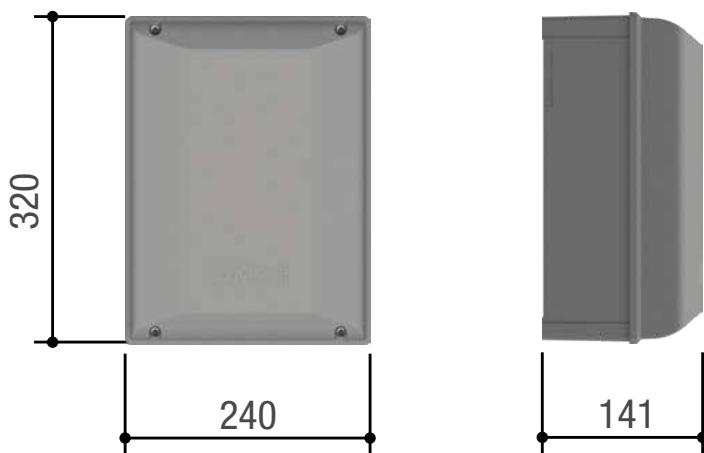
Control panel



## Control panel for 24V gearmotors

- Multifunction control panel for swing gates with two leaves. Graphic programming display and signalling and self-diagnostics using safety devices.

### Dimensions (mm)



### FUNCTIONS

| MODEL                                | 801QA-0060 |
|--------------------------------------|------------|
| Settable safety inputs               | 4          |
| CNX BUS inputs                       | YES        |
| Output B1 - B2                       | YES        |
| RIO System 2.0                       | YES        |
| CAME KEY and Gateway slot            | YES        |
| Adaptive Speed and Torque Technology | YES        |
| Virtual Encoder management           | YES        |
| Users number                         | 1000       |
| Clock module                         | YES        |
| PCB plastic cover                    | YES        |

### TECHNICAL FEATURES

| MODEL                       | 801QA-0060 |
|-----------------------------|------------|
| Protection rating (IP)      | 54         |
| Power supply (V - 50/60 Hz) | 230 AC     |
| Operating temperature (°C)  | -20 ÷ +55  |
| RAL color                   | 7024       |
| Cabinet material            | ABS        |

- 24 V DC

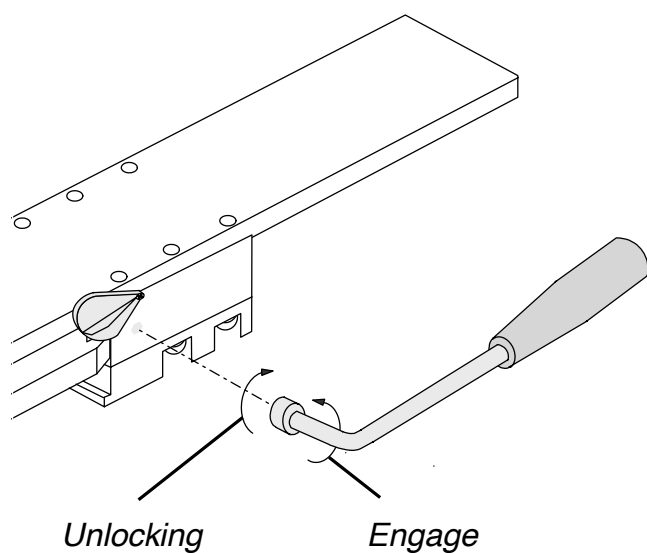


# A4364

Mechanical release key

## Mechanical release device with lever key for Frog motor.

- Unlocking mechanism
- Release device lever key
- 4 M8 x 35 cheese headed hexagonal socket screws
- 4 safety lock washer



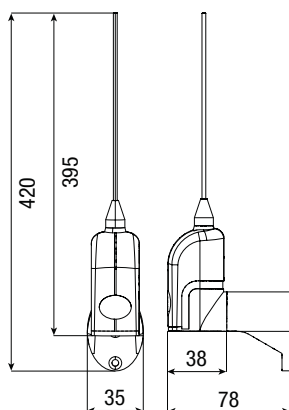
# ACCESSORIES

## TOPA433N

Tuned Antenna for 433.92Mhz



### Dimensions (mm)



### Operational limits

| MODELS                  | TA433N   |
|-------------------------|----------|
| Max. range of radio (m) | 50 ÷ 150 |

### Technical characteristics

| MODELS                       | TA433N    |
|------------------------------|-----------|
| Radio signal frequency (Mhz) | 433.92Mhz |

## AF43S

Radio frequency control card 433.92MHz



- Dip-switches for code and function selection
- Function enabling button
- Red signalling LED
- Green signalling LED
- Backup board
- Plug-in connector on receivers

### Technical characteristics

| MODELS                     | AF43S      |
|----------------------------|------------|
| Power supply (V±10%)       | 5          |
| Current draw (mA)          | 5.5        |
| Encoding type              | ASK        |
| Operating temperature (°C) | -20 to +55 |
| Sensitivity (dBm)          | -107       |

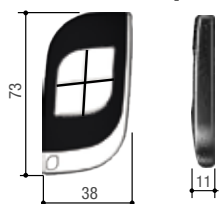
## TTS44RKS

Rolling code 433.92 radio control



- Self-learning from transmitter to transmitter.
- Self-learning from TOP, TAM and TWIN series radio controls.
- Removable battery compartment for easy replacement.
- It can be configured remotely via gateway or locally via GAME KEY.

### Dimensions (mm)



### Operational limits

| MODELS                  | 806TS-0250 |
|-------------------------|------------|
| Max. range of radio (m) | 50 ÷ 150   |

### Technical characteristics

| MODELS                       | 806TS-0250            |
|------------------------------|-----------------------|
| Combinations                 | 4.294.967.896         |
| Radio signal frequency (Mhz) | 433,92                |
| Operating temperature (°C)   | -20 ÷ +55             |
| Material                     | POLYCARBONATE - ZAMAK |

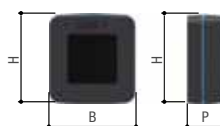
## DLX BUS

Photocells



- Control the gate's area of movement
- It can synchronize up to eight pairs of photocells, with no disturbances, plus no wiring required between the transmitter and the receiver.
- Adjustment of the infrared beam range from 10 to 30 meters.
- Filter function to prevent false detections due to bad weather or direct sunlight.
- Settable contact output so the photocell can double as a control device.
- Alignment function between transmitter and receiver.

### Dimensions (mm)



### Operational limits

| MODELS                  | 806TF-0100 |
|-------------------------|------------|
| Max. range of radio (m) | 30         |

### Technical characteristics

| MODELS                                 | 806TF-0100      |
|--|-----------------|
| Protection rating (IP)                 | 54              |
| Power supply (V)                       | CXN BUS         |
| Absorption                             | -               |
| Max. rating of 24 V (A) relay contacts | -               |
| Operating temperature (°C)             | -20 ÷ +55       |
| Material                               | ABS – ALUMINIUM |