

# MINI 350 - 8 WHEEL SERIES

## SUPPORT ROLLER

Use: Carriage for cantilever gates

Type: Carriage with 8 wheels, multiple body

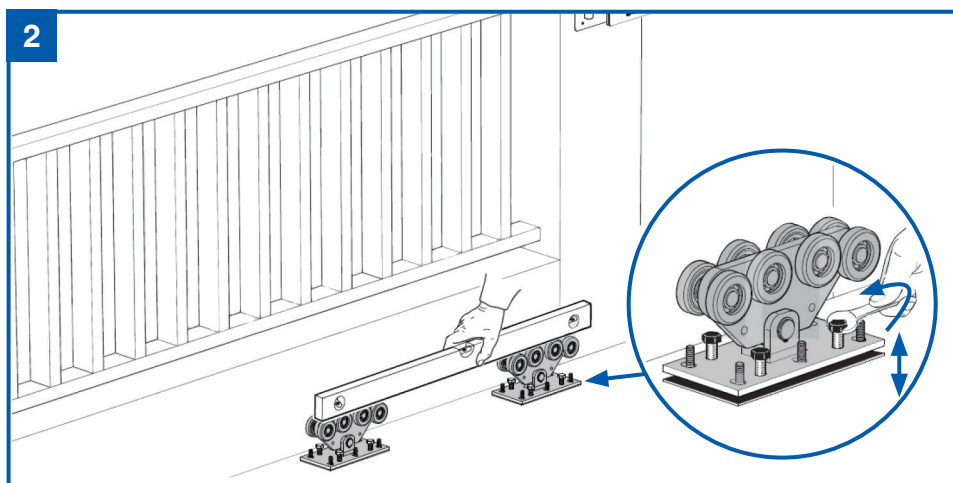
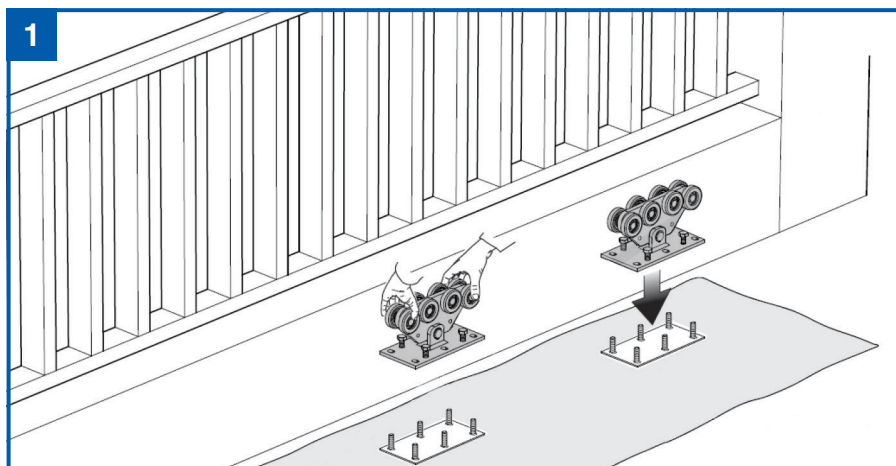
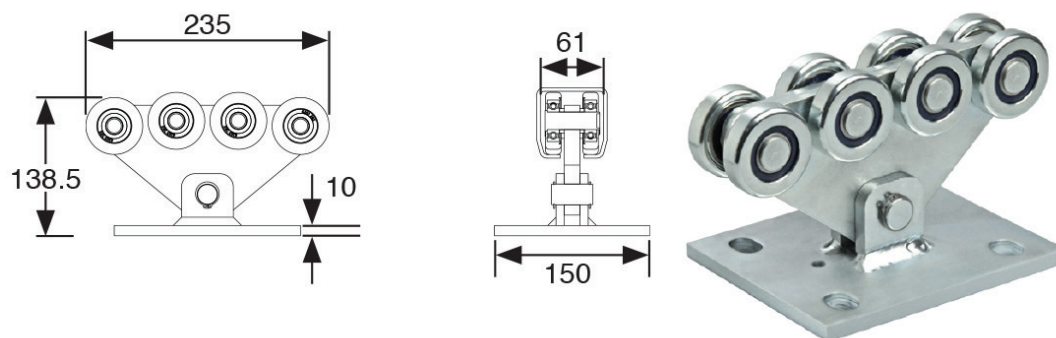
Fixing: Use 4 threaded tie rods code: **67CG348M16** or suitable plugs (both not supplied). For dimensions of the concrete base refer to table.

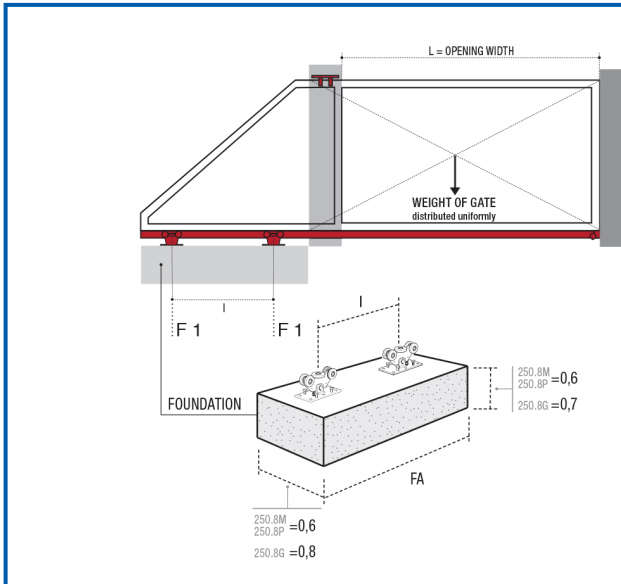
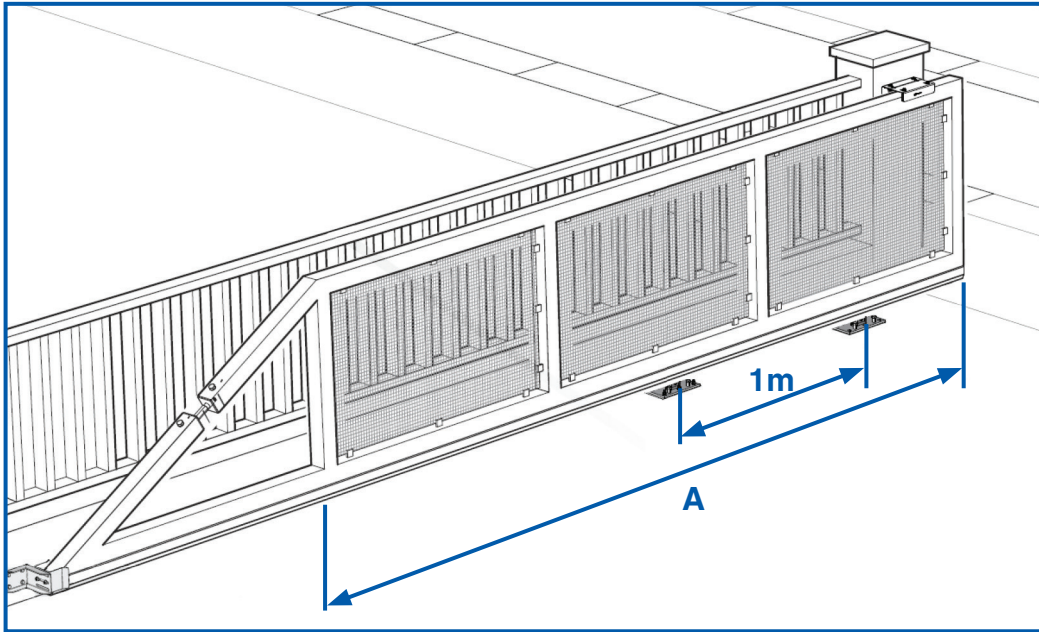
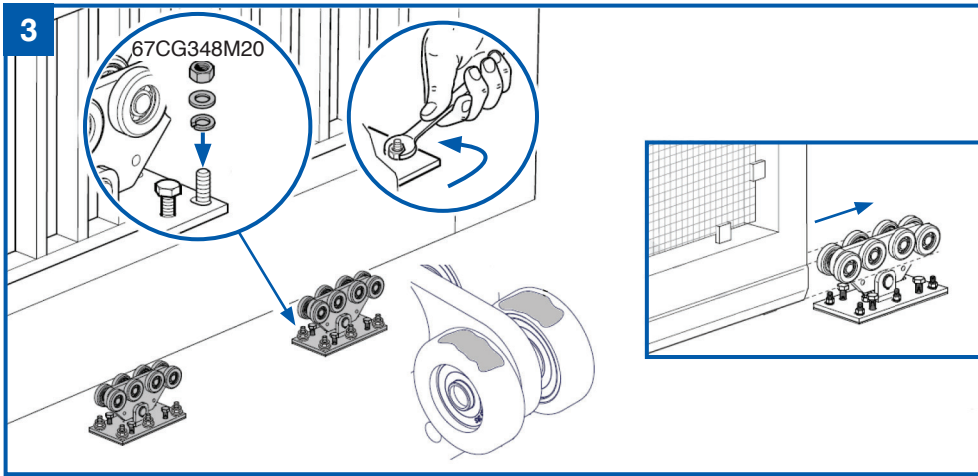
Material: Electrogalvanised steel

Recycling: Disposal as ferrous material in accordance with the current laws in the country of installation

Parts subject to wear: Bearings and wheels

Important: The manufacturer reserves the right to modify the characteristics of the product as required without notice. The manufacturer declines any liability for even partial modifications to the product, and the declared performance values are valid only if the installation procedures are carried out by qualified personnel





**F 1 Max Weight = 1200kg**

Weight kg	Length 3.0m		Length 4.0m		Length 5.0m		Length 6.0m		Length 7.0m	
	FA m	I m	FA m	I m	FA m	I m	FA m	I m	FA m	I m
<b>100</b>	1.10	0.20	1.20	0.30	1.20	0.30	1.30	0.40	1.40	0.50
<b>150</b>	1.20	0.30	1.30	0.40	1.40	0.50	1.50	0.60	1.60	0.70
<b>200</b>	1.30	0.40	1.40	0.50	1.60	0.70	1.70	0.80	1.90	1.00
<b>250</b>	1.40	0.50	1.60	0.70	1.80	0.90	1.90	1.00	2.10	1.20
<b>300</b>	1.50	0.60	1.70	0.90	2.00	1.10	2.20	1.30	2.40	1.50
<b>350</b>	1.70	0.80	1.90	1.00	2.20	1.30	2.50	1.60	2.80	1.90
<b>400</b>	1.90	1.00	2.20	1.30	2.50	1.60	2.80	1.90	3.10	2.20
<b>450</b>	2.00	1.10	2.40	1.50	2.80	1.90	3.20	2.30	3.60	2.70
<b>500</b>	2.30	1.40	2.70	1.80	3.10	2.20	3.60	2.70	4.10	3.20