

GRANDE 350 - 8 WHEEL SERIES

SUPPORT ROLLER

Use: Carriage for cantilever gates

Type: Carriage with 8 wheels, multiple body

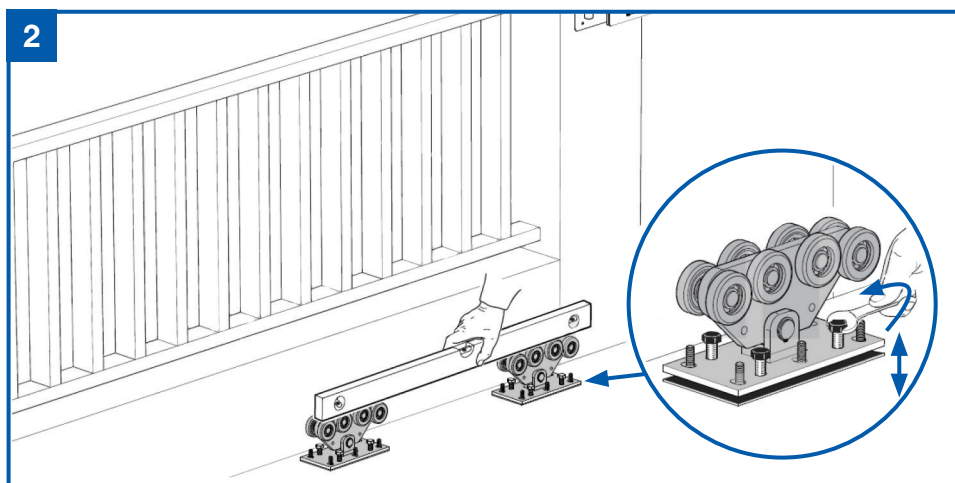
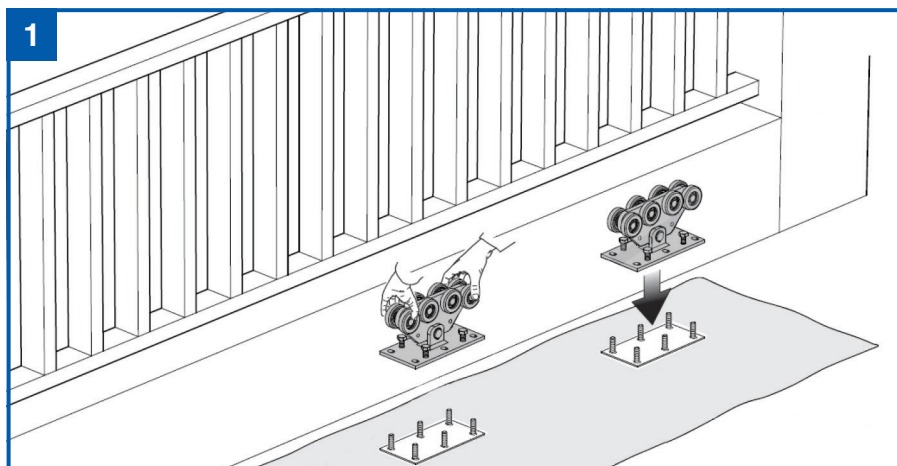
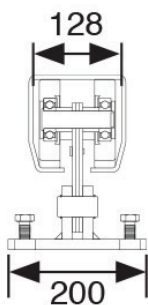
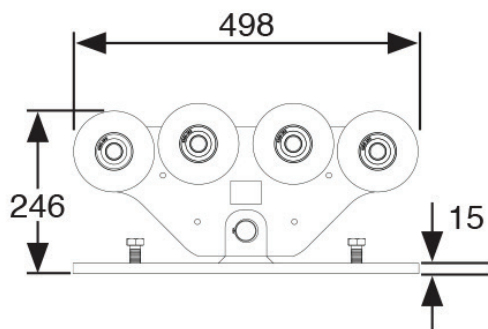
Fixing: Use 6 threaded tie rods code: **G348M20** or suitable plugs (both not supplied). For dimensions of the concrete base refer to table. The base enables height adjustment by means of the 4 M16 screws and the special counterplate code: **CG05G**.

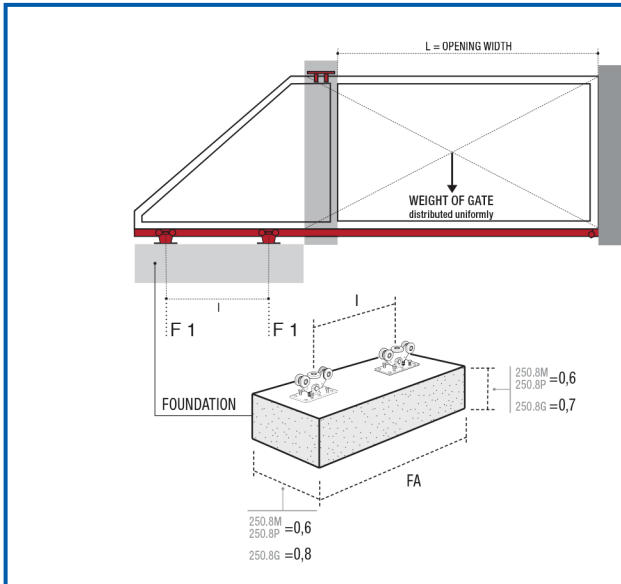
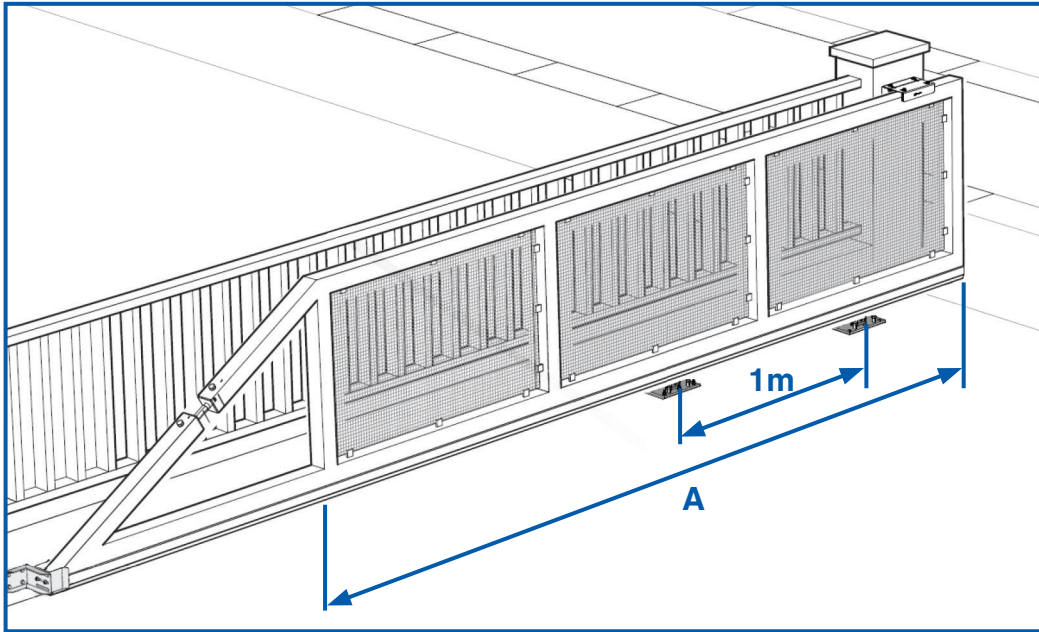
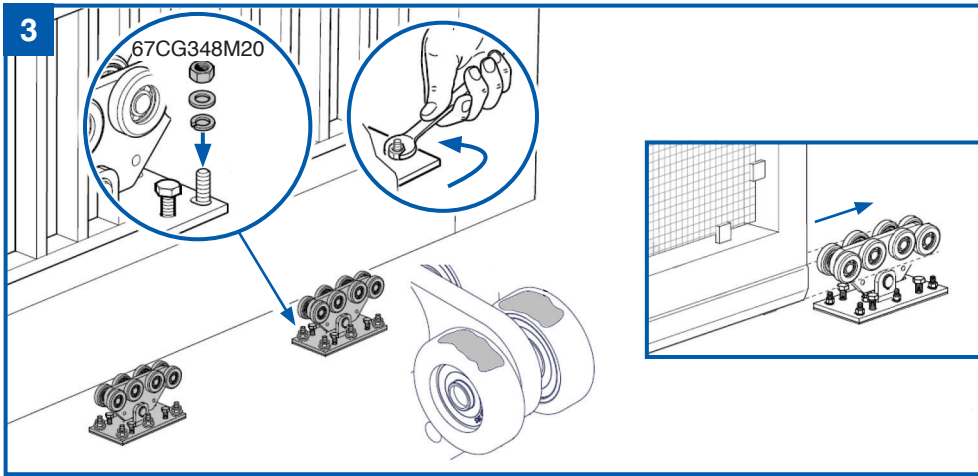
Material: Electrogalvanised steel

Recycling: Disposal as ferrous material in accordance with the current laws in the country of installation

Parts subject to wear: Bearings and wheels

Important: The manufacturer reserves the right to modify the characteristics of the product as required without notice. The manufacturer declines any liability for even partial modifications to the product, and the declared performance values are valid only if the installation procedures are carried out by qualified personnel





F 1 Max Weight = 1200kg

Weight kg	Length 8.0m		Length 10.0m		Length 12.0m		Length 14.0m		Length 16.0m	
	FA m	l m	FA m	l m	FA m	l m	FA m	l m	FA m	l m
800	2.40	1.50	2.80	1.90	3.30	2.40	3.80	2.90	4.40	3.50
850	2.50	1.60	2.90	2.00	3.40	2.50	4.00	3.10	4.60	3.70
900	2.60	1.70	3.10	2.20	3.60	2.70	4.20	3.30	4.90	4.00
950	2.60	1.70	3.10	2.20	3.80	2.90	4.40	3.50	5.10	4.20
1000	2.80	1.90	3.30	2.50	4.00	3.10	4.60	3.70	5.30	4.40
1050	2.90	2.00	3.50	2.60	4.10	3.20	4.80	3.90	5.60	4.70
1100	3.00	2.10	3.70	2.850	4.30	3.40	5.10	4.20	5.90	5.00
1150	3.20	2.30	3.80	2.90	4.50	3.60	5.30	4.40	6.20	5.30
1200	3.30	2.40	4.00	3.10	4.70	3.80	5.60	4.70	6.50	5.50