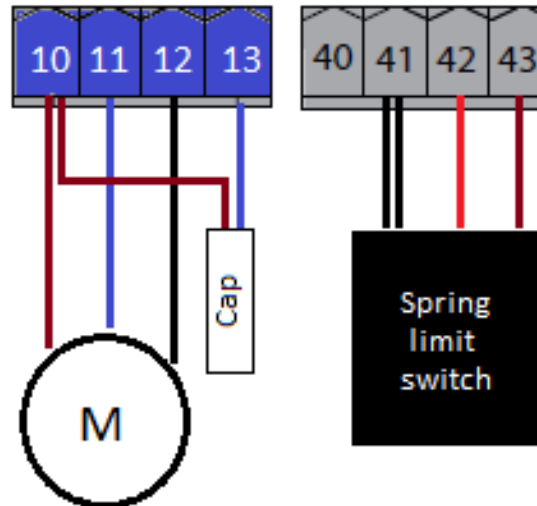
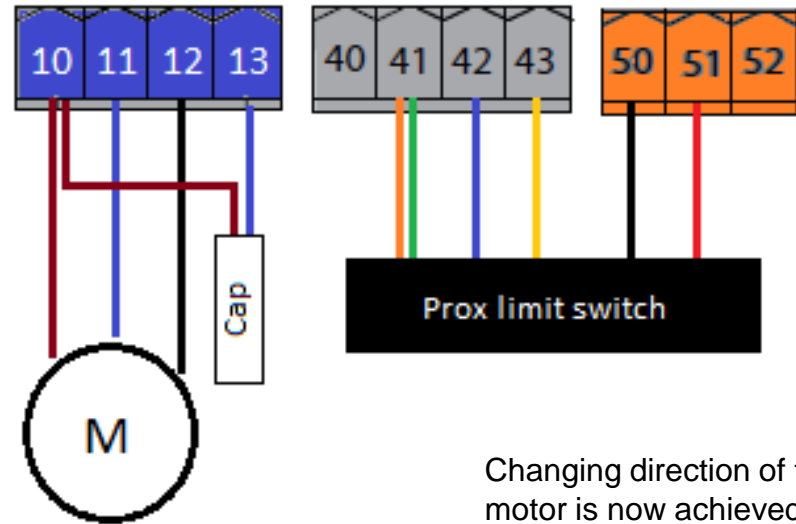


# Leo MAD – Leo CBB

CBB		MAD	
Supply	Eth	1	Earth
	N	2	Neutral 0v
	L	3	Live 230v
	20	4	Blinker 230v 40W
	21	5	
Motor	10	6	Brown + Capacitor
	11	7	Blue
	12	8	Black
	13	9	Blue - Capacitor
	50	10	0v
	51	11	24v
Programable	26	12	SCA or Channel 2
Programable	27	13	
	52	14	24v V Safe
Common	70-76	60-63	21 Common
Programable	61-62-64-65	22	Start
	71	23	Stop
Programable	72-74-77	24	Phot
Limit Switch	43	25	swo
	42	26	swc
Programable	61-62-64-65	27	Pedestrian
Programable	61-62-64-65	28	Open
Programable	61-62-64-65	29	Close
Programable	72-74-77	30	Bar
Programable	61-62-64-65	31	Timer input
Programable	73-75-78	32	Phot Fault
Programable	73-75-78	33	Bar Fault
Antenna	Y	38	Ariel
	#	39	Shield



Changing direction of the motor is now achieved by selecting DX (r/h) or SX (l/h) in the quick menu or by changing the LOGIC setting `oPEr in othEr dIrEcT.` in the main menu.

Regardless of the existing wiring make the new board connections as per these drawings.