

# GATES AND ACCESSORIES

## Easy Field Gate Closer 600

Suitable for gates up to 3.6m wide

Easy Field Gate Closers are a powerful answer to the problem of closing driveway and field gates after pedestrians have passed through.

Unlike many gate closers, Easy Field Gate Closers provide a controlled closing speed. They firmly and quietly push gates closed and engage most types of latches. As with most gate closers, a "stop" is required to restrict the opening angle and avoid damage to the closer.

Easy Field Gate Closers are suitable for gates with offset (behind the post) and in-line hinge arrangements. These closers are ideally suited to work with automatic latches and electric locking devices.

Each closer comes with mounting brackets and fixings for timber gates. Installation is simple and maintenance is limited to periodic inspection and operating tests.



### Technical overview:

Material	Steel
Colour	Black
Finish	Black painted
Hinge arrangements	In-line & offset
Opening angle	Up to 110 degrees
Max. Gate weight	100 kg
Max. Gate width	3.6m
Types of gate materials	Timber or metal
Gate closing time	Pre-set
Opening hand forces	Approx. 2-5 kg
Bracket material	Aluminium
Bracket Finish	Black paint
End fittings	Industrial Polymer

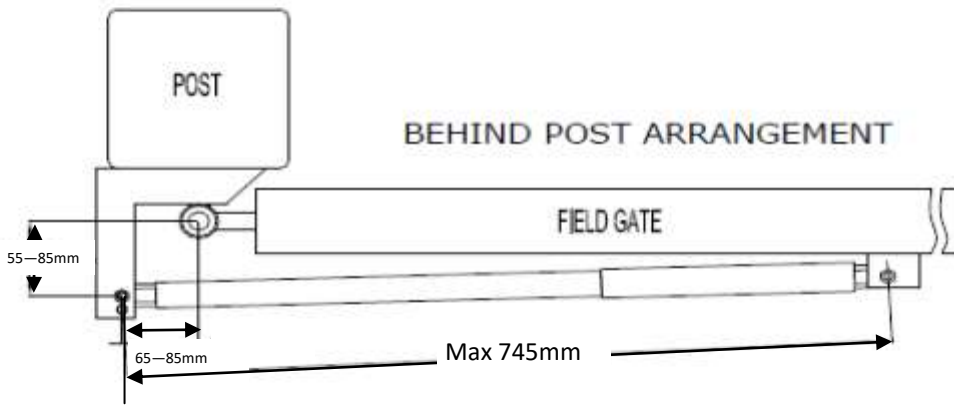
[www.gatesandaccessories.co.uk](http://www.gatesandaccessories.co.uk)

EMAIL [info@gatesandaccessories.co.uk](mailto:info@gatesandaccessories.co.uk)

TEL 01223-839991

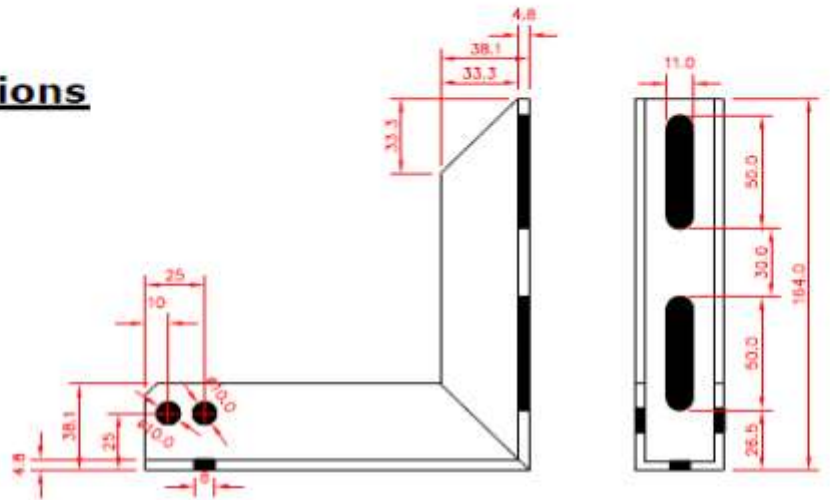
# Easy Field Gate Closer – Installation Drawings

**GATES AND ACCESSORIES**



## Mounting Bracket Dimensions

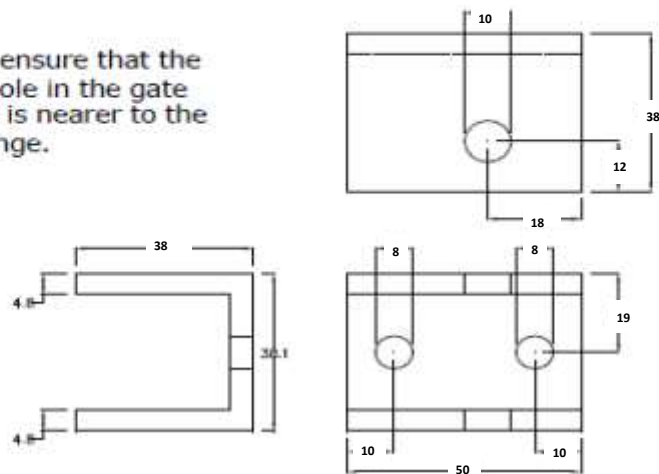
BEHIND POST BRACKET



CHANNEL GATE BRACKET



Always ensure that the offset hole in the gate bracket is nearer to the gate hinge.



## Kit Components

- 1 x Field gate closer
- 2 x Mounting brackets (1 x angled post bracket & 1 x channel gate bracket)
- 2 x Bracket pivot pins (hexagon head stainless steel)
- 4 x Coach screws (2 x M10 & 2 x M8)
- 2 x Socket head screws with plain washers (M6 stainless steel)
- 1 x Fitting bar (one hole at each end)
- 1 x Retaining bar (fitted to closer when delivered)

[www.gatesandaccessories.co.uk](http://www.gatesandaccessories.co.uk)

EMAIL [info@gatesandaccessories.co.uk](mailto:info@gatesandaccessories.co.uk)

TEL 01223-839991

## **DO NOT REMOVE THE RETAINING BAR FROM THE CLOSER**

### **Step 1 – Fix the 'L' Shaped Mounting Bracket to the Gatepost**

Fix the 'L' shaped mounting brackets to the gatepost following the layout dimension from the previous page. When fixing the mounting brackets, it is important to ensure they are fitted horizontally. So make sure this bracket is mounted in a position where the bracket will also line up with the gate cross bar where the gate bracket will be fitted, which is the next step. Use the 2 x M10 stainless steel coach screws included in the kit to secure the bracket to the gate post.

### **Step 2 – Fix the Channel Mounting Bracket to the Gate**

Take one of the hexagon headed pivot pins and temporarily attach one end of the fitting bar to the gatepost bracket.

Temporarily fix the channel mounting bracket to the other end of the fitting bar using the other hexagon headed pivot pin, and then swing the bar and the bracket around to the gate, check the brackets are horizontally in-line with each other (use a spirit level) and then mark the fixing holes for the channel mounting bracket on the gate (always ensure that the offset hole in the bracket is nearest to the gate hinge). Remove the fitting bar and hexagon headed pivot pins.

Drill the holes in the gate. Fix the channel mounting bracket to the gate using the 2 x M8 stainless steel coach screws included in the kit. Check that the distance between the hole centres of both brackets is 745 mm or less.

### **Step 3 – Fit the Gate Closer to the Mounting Brackets**

Fit the stainless steel spacers to the gate closer cylinder end fittings. Open the gate until the holes in the mounting brackets align with the holes in the stainless steel spacers fitted to the gate closer cylinder. Then fit the gate closer cylinder complete with its retaining bar (already tied to the gate closer cylinder) and spacers to the mounting brackets on the gatepost and gate using the hexagon headed stainless steel pivot pins.

Open the gate further and then remove the steel retaining bar from the gate closer cylinder. Release the gate and it will close automatically.

### **Step 4 – Final Set-up and Function Test**

Set the gate's restricting stops to the correct open & closed positions. To do this open the gate to a position where the distance between the centres of the hexagon headed pivot pins are 555 mm or more. Set the gate's 'fully open stop' to restrict the opening at this point.

Now, let the closer fully close the gate and check that the gate 'fully closed stop' is engaged and that the distance between the centres of the gate bracket fixing pins is 745 mm or less.

Open the gate and allow the closer to close the gate a few times to check the function.

### **Step 5 – Check Fixings**

Fit the M6 socket head screws and washers to the underside of the hexagon headed stainless steel bracket fixing pins using a thread locking liquid. Finally, remove plastic cover from the gate closer cylinder. Check all fixings are secure. The gate closer is now ready for use.

### **Maintenance**

Periodically check all fixings are secure. Inspect gate closer for signs of damage. Open the gate a few times and allow gate closer to close the gate to check the function.