



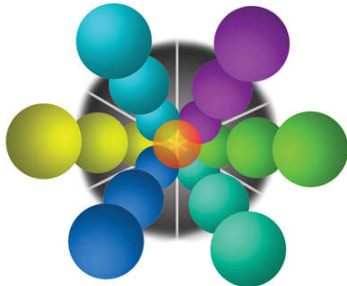
THE GATE CLOSER SPECIALISTS

Lokk Latch Series 2 Lockable General Purpose Gate Latch

A quality yet, affordable, pedestrian gate latch for general-purpose gates around the home. Made from strong, moulded polymer and fitted with stainless steel components. Lokk Latch takes a radical new approach to the gravity latch principle by combining the benefits of key locking and reliable action using rust free materials.

We offer Lokk Latch Series 2 in two models, with or without an external access kit (EAK). The External Access Kit allows gates to be operated from outside the fence. The lockable push-button operates through a connecting rod between the latch and push-button. Locking the external push-button does not lock the latch, it simply locks the push-button on this model.

Super-Strong



Engineering Polymers

INNOVATIVE & RELIABLE
GATE PRODUCTS



Technical Overview:

Latch Type	Gravity
Re-Key	No
Keyed alike	Option
Ideal gate gap	19mm
Gap variance	10-35mm
Vertical adjustment	13mm
Locks both sides	Yes (with EAK)
Lockable push-button	
Made from strong, moulded polymer	
Rust-free materials	
Stainless steel components	

Ordering Details

Product Code:

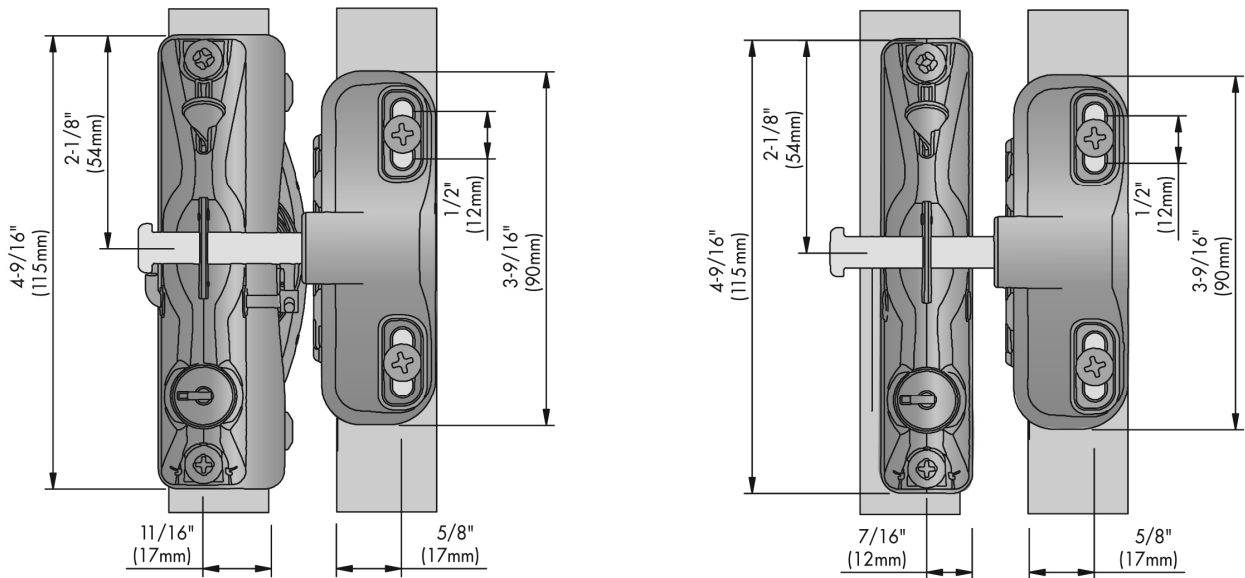
LLAA
LLAAB

Product Code:

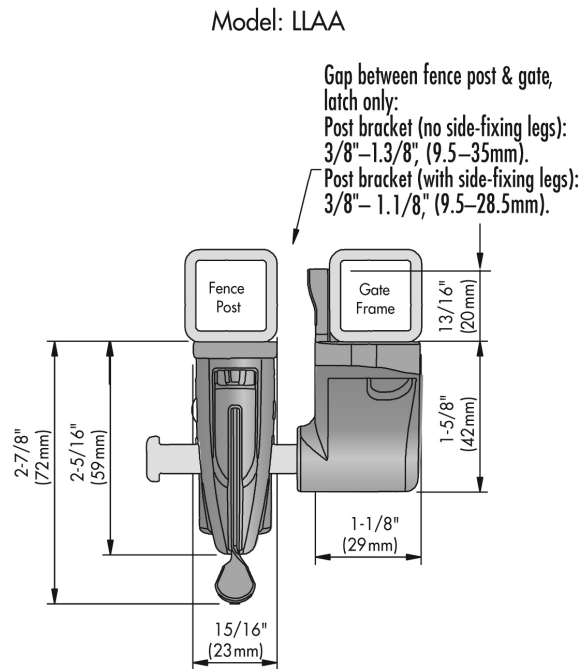
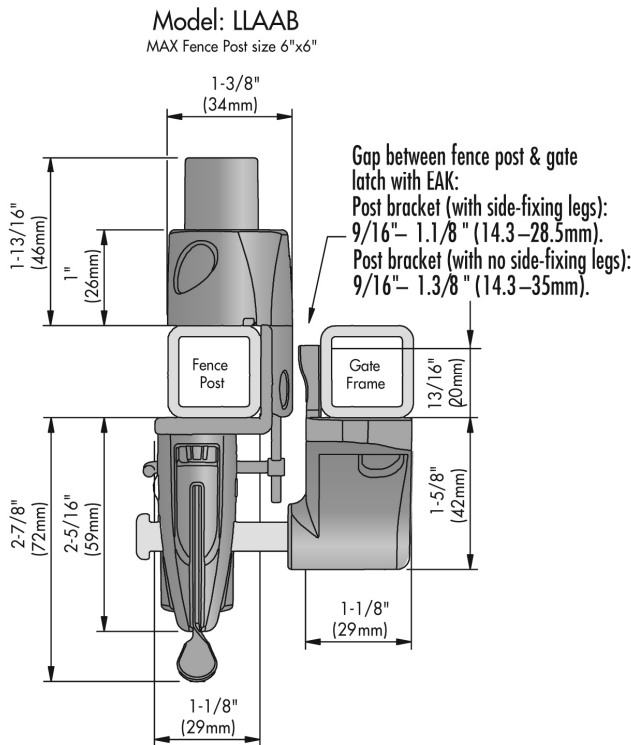
Lokk-Latch Series 2
Lokk-Latch Series 2 + EAK



Latch Only



General Arrangement of LOKK Latch + EAK and Latch Only



Ordering Details

Product Code:

LLAA
LLAAB

Product Code:

Lokk-Latch Series 2
Lokk-Latch Series 2 + EAK