



BOB30M BOB3024E

LINEAR WORM SCREWS

patented FACE gears
full metal mechanics
gear and female screw in bronze
personalised release key

up to 3.0 m



CONTROL UNITS:

BOB30M	— BRAINY	140
	— HEADY	141
BOB30ME	— BRAINY	140
BOB30ME.DK	— BRAINY	140
BOB3024E	— BRAINY24 ^{PLUS}	148
	— BRAINY24	149
	— TRUST24	150



NEW VERSION AVAILABLE
BOB30ME.DK



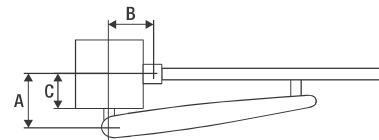
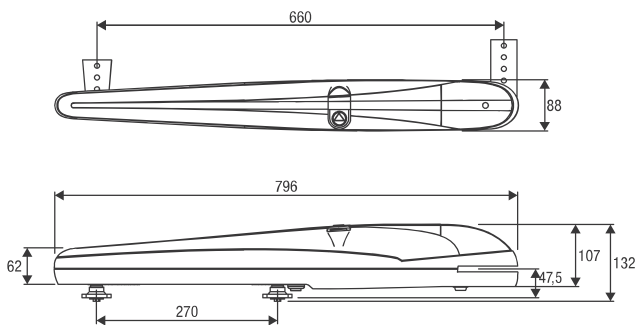
Reliable, quiet, and quick to install geared motor, thanks to its 2 adjustable mechanical stops for opening and closing. Available in the 230 Vac and 24 Vdc versions. Rolled ball screws Ø 20 mm. Easy access release from above.

230 Vac

- Irreversible 230 Vac electromechanical geared motor
- The encoder device in the BOB30ME version ensures crush prevention and precision in the gate moving phases

24 Vdc | intensive use

- Irreversible 24 Vdc electromechanical geared motor for intensive use, equipped with encoder
- The TRUST24 control unit ensures power consumption in standby mode of < 0.8 W
- The encoder device ensures maximum safety and precision in the gate moving phases
- Amperometric sensor obstacle detection system to prevent crushing
- Optional battery powered operation



A (mm)	B (mm)	C (mm)
105-135	115-135	50-80

COMPLETE KITS	MOTORS	CONTROL UNIT	PHOTOCELLS	FLASHING LIGHT	TRANSMITTER
KBOB30M	2x BOB30M	1x HEADY	1x PUPILLA.T	1x LAMPY	1x TO.GO2VA
KBOB30ME.B	2x BOB30ME	1x BRAINY	1x PUPILLA.T	1x LAMPY	1x TO.GO2VA

**B3.SR**

Screw-in brackets with easy fixing.

**B.SR**

Multiposition brackets for one operator.

**BOB.SN**

Rear joint for sloping openings.

**B.P**

Screw-on plate.

**BOB.SL**

Rear extension for BOB30 series models, for increased performances of up to 15% and installations with compact footprint.

**DU.V96**

12 Vac/dc vertical electric lock, supplied with counterplate. Permits internal/external release.

**DU.V90**

12 Vac/dc horizontal electric lock, supplied with counterplate. Permits internal/external release.

**DU.9990**

Covering plate for DU.V90.

**E.LOCK**

230 Vac vertical electric lock, supplied with counterplate.

**E.LOCKSE**

Extended cylinder for E.LOCK electric lock. It allows unlocking gates up to 55mm-thick from the outside.

**CABLE.24E**

Cable reel with 5 conductors (2 for motor, 3 for encoder) for connecting the encoder device in the 24 Vdc versions. L= 100 m.

**XLB.CB**

Battery box fitted with universal bracket and cables. IP54.

**DA.LB**

Galvanized column for outdoor installation of LB box.

**BRAINY24.CB-SW**

Accessory equipped with 1.2 Ah batteries and support bracket.

**BRAINY24.CB**

Accessory with CBY.24V battery charger, 1.2 Ah batteries and support bracket.

TECHNICAL DATA	BOB30M*	BOB30ME*	BOB30ME.DK	BOB3024E*
Motor supply	230 Vac (50-60Hz)	230 Vac (50-60Hz)	230 Vac (50-60Hz)	24 Vdc
Max absorbed current	1.8 A	1.8 A	1.8 A	5.5 A
Max Thrust	2300 N	2300 N	2300 N	1800 N
Opening time	18"	18"	18"	9" ÷ 21"
Duty cycle	30%	30%	30%	intensive use
Standard stroke	270 mm	270 mm	270 mm	270 mm
Max stroke	325 mm	325 mm	325 mm	325 mm
Protection level	IP44	IP44	IP44	IP44
Encoder	NO	YES	YES	YES
Operating temperature	-20°C /+50°C	-20°C /+50°C	-20°C /+50°C	-20°C /+50°C
Leaf max dimension	3 m	3 m	3 m	3 m
Weight	8.5 kg	8.5 kg	8.5 kg	8 kg
Items no. per pallet	50	50	50	50
Kit weight	19.6 kg	20.5 kg	---	20.7 kg
Kits no. per pallet	18	18	---	18

* Available in 115 VAC version