



# Cellcom Prime7

## Multi-Button System



FOTA – Upgrade firmware via SMS.



Dynamic APN – Automatically detects APN.



Auto clock sync.



Bigger 2 amp power supply.



Store up to 4 notification phone numbers to receive an SMS (customizable) when relay is triggered etc



Ability to check Do-not-disturb times.



4G

High gain antenna as standard! Ability to view APN on signal level reply.



Set automatic gate open & close times.



2x Relays. Ability to check Automatic Relay Times.



Trigger, latch and unlatch SMS replies added. Ability to disable.



Issue time restricted codes.

All new **improved** hardware.



Technical Details			
<b>Dial Out Numbers</b>	4	<b>Relays</b>	2
<b>Permanent Codes/cards</b>	250	<b>Relay Type</b>	N/C and N/O
<b>Time Restricted Codes/cards</b>	250	<b>Relay Load</b>	2 amps, 24v ac max
<b>Temporary Codes/cards</b>	50	<b>Power Consumption</b>	300mA on dial out, 2amp peak demand
<b>Automatic Trigger Events per Week</b>	50	<b>Modem Models</b>	4G Europe, 4G USA, 4G AUS/NZ
<b>Caller ID Numbers</b>	250	<b>Power Supply</b>	24v dc (24v 2A dc adaptor included)
<b>Time Restricted Caller ID Numbers</b>	250		

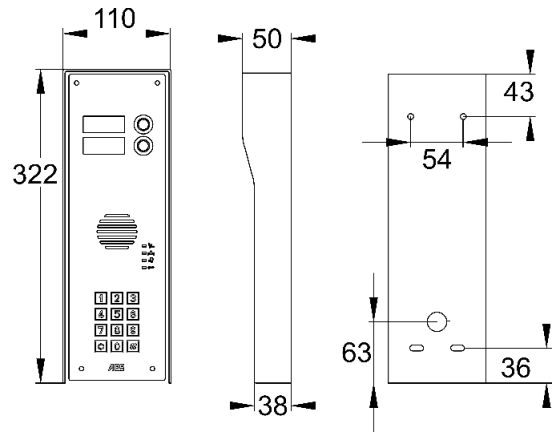


NEW AES PRO APP, user friendly. With Installer and homeowner capabilities.

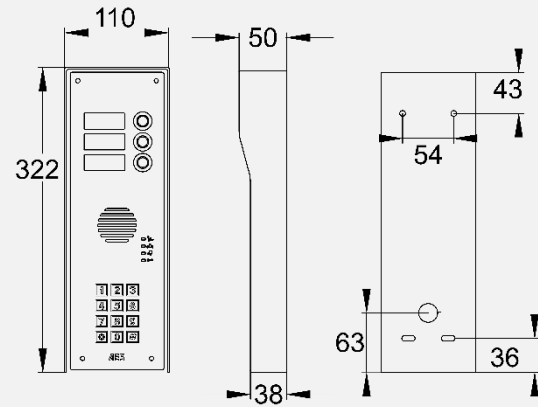




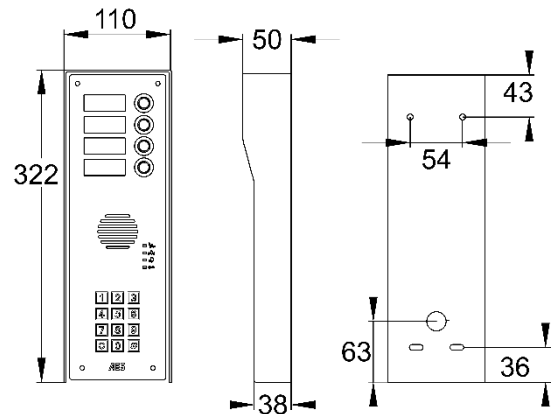
### PRIME7-IBK2-US



### PRIME7-IBK3-US



### PRIME7-IBK4-US



All black panel with textured powder coated aluminium hood and gloss black acrylic faceplate trim, over a tough metal back plate.