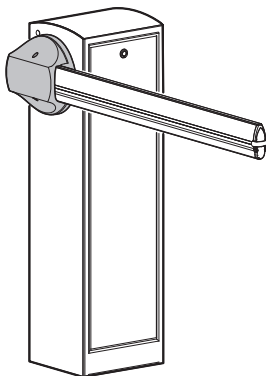


**Do not increase the bar weight by applying other accessories**

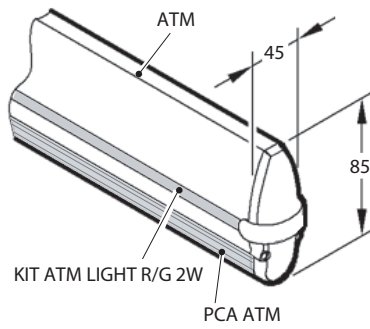
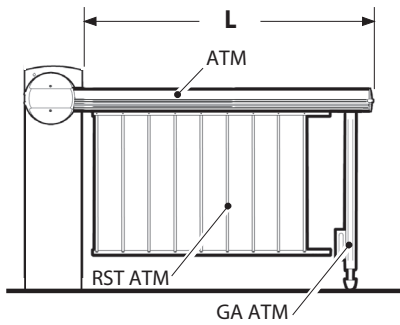
**SPRING TYPE**

SPRING	WIRE	COLOR
R	Ø 7.5	Red
B	Ø 8.0	Blue
G	Ø 9.5	Green



**SPRING TABLE**

ACCESSORIES	L (mm)	1700	2000	2250	2500	2750	3000
ATM		R	R	R	R	B	B
ATM + KIT ATM LIGHT R/G 2W		R	R	R	R	B	B
ATM + PCA ATM		R	R	R	R	B	B
ATM + KIT ATM LIGHT R/G 2W + PCA ATM		R	R	R	R	B	B
ATM + RST ATM		R	R	B	B	B	G
ATM + RST ATM + KIT ATM LIGHT R/G 2W		R	R	B	B	B	G

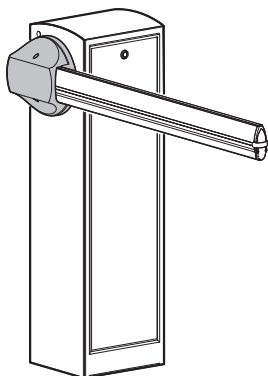


SPRING TABLE

Do not increase the bar weight by applying other accessories

SPRING TYPE

SPRING	WIRE	COLOR
R	Ø 7.5	Red
B	Ø 8.0	Blue
G	Ø 9.5	Green



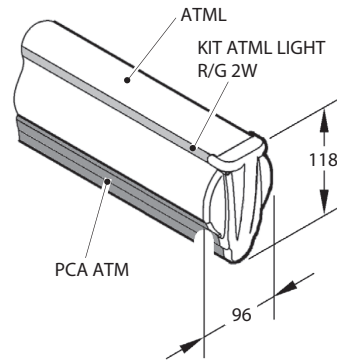
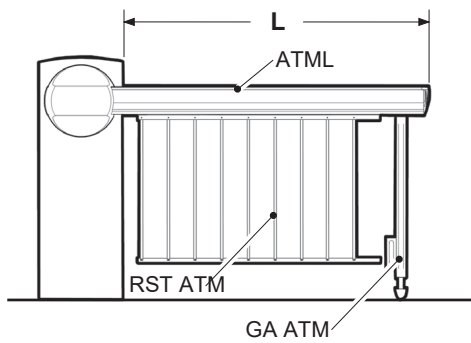
ACCESSORIES	L (mm)	1700	2000	2250	2500	2750	3000	3500	4000	4500	5000
ATM		R	R	R	R	B	B	G	G	G	G
ATM + KIT ATM LIGHT R/G 2W		R	R	R	R	B	B	G	G	G	G
ATM + PCA ATM		R	R	R	R	B	B	G	G	G	G
ATM + KIT ATM LIGHT R/G 2W + PCA ATM		R	R	R	R	B	B	G	G	G	G
ATM + GA ATM (*)									G	G	G
ATM + KIT ATM LIGHT R/G 2W + GA ATM (*)									G	G	G
ATM + PCA ATM + GA ATM (*)									G	G	G
ATM + KIT ATM LIGHT R/G 2W + PCA ATM + GA ATM (*)									G	G	
ATM + RST ATM		R	R	B	B	B	G	G	G	G	
ATM + RST ATM + KIT ATM LIGHT R/G 2W		R	R	B	B	B	G	G	G	G	
ATM + RST ATM + GA ATM (*)								G	G		
ATM + RST ATM + KIT ATM LIGHT R/G 2W + GA ATM (*)								G	G		

(\*) GA ATM = EBB KIT ATML



# SPRING TABLE

# MAXIMA 60 / MAXIMA 80



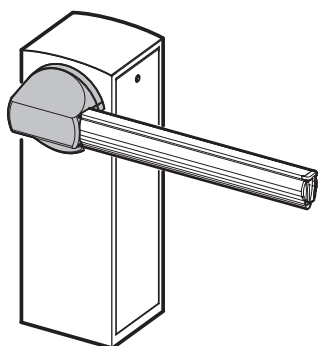
## SPRING TABLE

**Do not increase the bar weight by applying other accessories**

### SPRING TYPE

SPRING	WIRE	COLOR
W+W	Ø 7.5 + Ø 7.5	White + White
W+Y	Ø 7.5 + Ø 9.0	White + Yellow
Y	Ø 9.0	Yellow
Y+Y	Ø 9.0 + Ø 9.0	Yellow + Yellow
Y+P	Ø 9.0 + Ø 9.5	Yellow + Purple
P+P	Ø 9.5 + Ø 9.5	Purple + Purple
P+B	Ø 9.5 + Ø 11.0	Purple + Black
B+B	Ø 11.0 + Ø 11.0	Black + Black

ACCESSORIES	L (mm)	MAXIMA 60					MAXIMA 80			
		4000	4500	5000	5500	6000	6500	7000	7500	8000
ATML		W+W	W+W	Y	Y	W+Y	Y+Y	Y+Y	Y+P	Y+P
ATML + KIT ATML LIGHT R/G 2W		W+W	W+W	Y	Y	W+Y	Y+Y	Y+Y	Y+P	P+P
ATML + PCA ATM		W+W	Y	Y	W+Y	W+Y	Y+Y	Y+P	P+P	B+B
ATML + KIT ATML LIGHT R/G 2W + PCA ATM		W+W	Y	Y	W+Y	Y+Y	Y+P	Y+P	P+B	P+B
ATML + GA ATM (*)		W+W	Y	Y	W+Y	W+Y	Y+Y	Y+Y	P+P	P+P
ATML + KIT ATML LIGHT R/G 2W + GA ATM (*)		W+W	Y	Y	W+Y	W+Y	Y+Y	Y+P	P+P	P+B
ATML + PCA ATM + GA ATM (*)		Y	Y	W+Y	W+Y	Y+Y	P+P	P+P	P+B	B+B
ATML + KIT ATML LIGHT R/G 2W + PCA ATM + GA ATM (*)		Y	Y	W+Y	W+Y	Y+Y	P+P	P+P	P+B	B+B
ATML + RST ATM		Y	Y	W+Y	W+Y	Y+Y	P+P	P+P	P+B	B+B
ATML + RST ATM + KIT ATML LIGHT R/G 2W		Y	Y	W+Y	W+Y	Y+Y	P+P	P+B	B+B	
ATML + RST ATM + GA ATM (*)		Y	W+Y	W+Y	Y+Y	Y+Y	P+P	P+B	B+B	
ATML + RST ATM + KIT ATML LIGHT R/G 2W + GA ATM (*)		Y	W+Y	W+Y	Y+Y	Y+Y	P+B	P+B	B+B	

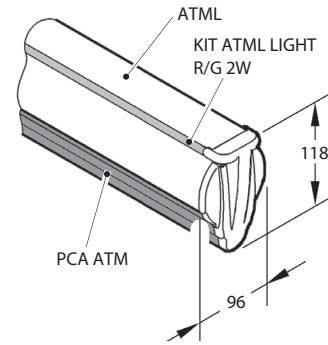
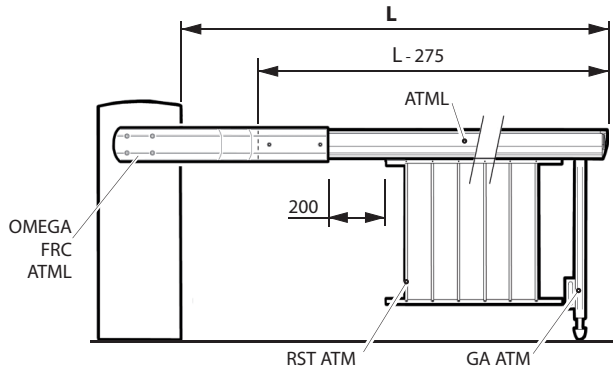


(\*) GA ATM = EBB KIT ATML



# SPRING TABLE

# MAXIMA 60 / MAXIMA 80 + OMEGA FRC ATML



## SPRING TABLE

**Do not increase the bar weight by applying other accessories**

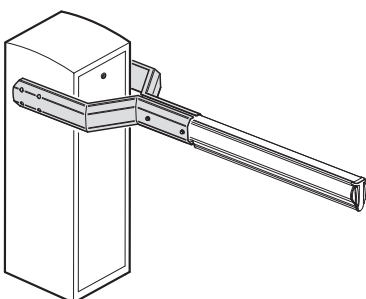
### SPRING TYPE

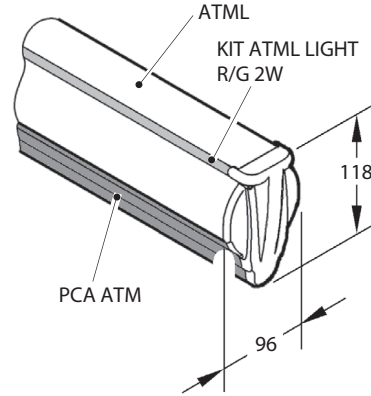
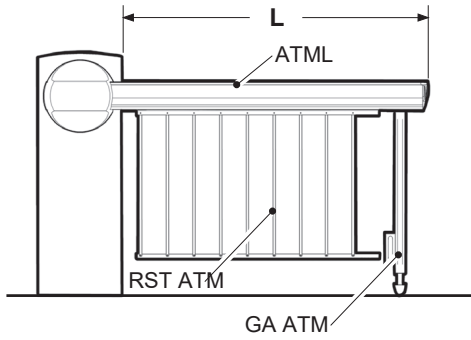
SPRING	WIRE	COLOR
W+W	Ø 7.5 + Ø 7.5	White + White
W+Y	Ø 7.5 + Ø 9.0	White + Yellow
Y	Ø 9.0	Yellow
Y+Y	Ø 9.0 + Ø 9.0	Yellow + Yellow
Y+P	Ø 9.0 + Ø 9.5	Yellow + Purple
P+P	Ø 9.5 + Ø 9.5	Purple + Purple
P+B	Ø 9.5 + Ø 11.0	Purple + Black
B+B	Ø 11.0 + Ø 11.0	Black + Black

ACCESSORIES	L (mm)	MAXIMA 60 + OMEGA FRC ATML					MAXIMA 80 + OMEGA FRC ATML				
		4000	4500	5000	5500	6000	6500	7000	7500	8000	
ATML		W+W	Y	Y	W+Y	W+Y	Y+Y	Y+Y	Y+P	P+P	
ATML + KIT ATML LIGHT R/G 2W		W+W	Y	Y	W+Y	W+Y	Y+Y	Y+P	P+P	P+P	
ATML + PCA ATM		Y	Y	W+Y	W+Y	Y+Y	Y+P	P+P	P+B	P+B	
ATML + KIT ATML LIGHT R/G 2W + PCA ATM		Y	Y	W+Y	W+Y	Y+Y	P+P	P+P	P+B	B+B	
ATML + GA ATM (*)		Y	Y	W+Y	W+Y	Y+Y	Y+Y	P+P	P+P	P+B	
ATML + KIT ATML LIGHT R/G 2W + GA ATM (*)		Y	Y	W+Y	W+Y	Y+Y	Y+P	P+P	P+B	P+B	
ATML + PCA ATM + GA ATM (*)		Y	W+Y	W+Y	Y+Y	Y+Y	P+P	P+B	P+B	B+B	
ATML + KIT ATML LIGHT R/G 2W + PCA ATM + GA ATM (*)		Y	W+Y	W+Y	Y+Y	Y+Y	P+P	P+B	B+B	B+B	
ATML + RST ATM		Y	W+Y	W+Y	Y+Y	Y+Y	P+P	P+B	B+B		
ATML + RST ATM + KIT ATML LIGHT R/G 2W		Y	W+Y	W+Y	Y+Y	Y+Y	P+P	P+B	B+B		
ATML + RST ATM + GA ATM (*)		Y	W+Y	Y+Y	Y+Y	Y+Y	P+B	B+B			
ATML + RST ATM + KIT ATML LIGHT R/G 2W + GA ATM (*)		W+Y	W+Y	Y+Y	Y+Y	Y+Y	P+B	B+B			

(\*) GA ATM = EBB KIT ATML

date 10/02/2020



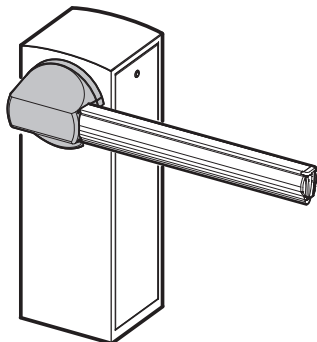


**⚠ Do not increase the bar weight by applying other accessories**

**SPRING TABLE**

**SPRING TYPE**

SPRING	WIRE	COLOR
W+W	Ø 7.5 + Ø 7.5	White + White
Y	Ø 9.0	Yellow
Y+Y	Ø 9.0 + Ø 9.0	Yellow + Yellow
Y+P	Ø 9.0 + Ø 9.5	Yellow + Purple
P+P	Ø 9.5 + Ø 9.5	Purple + Purple
P+B	Ø 9.5 + Ø 11.0	Purple + Black
B+B	Ø 11.0 + Ø 11.0	Black + Black



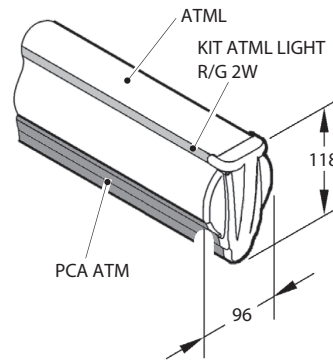
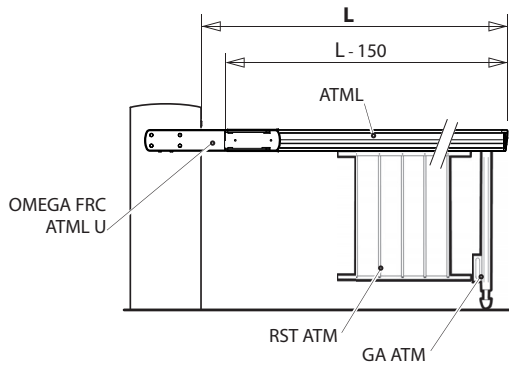
ACCESSORIES	L (mm)	4000	4500	5000	5500	6000	6500	7000	7500	8000
ATML		W+W	W+W	Y	Y	W+Y	Y+Y	Y+Y	Y+P	Y+P
ATML + KIT ATML LIGHT R/G 2W		W+W	W+W	Y	Y	W+Y	Y+Y	Y+Y	Y+P	P+P
ATML + PCA ATM		W+W	Y	Y	W+Y	W+Y	Y+Y	Y+P	P+P	P+B
ATML + KIT ATML LIGHT R/G 2W + PCA ATM		W+W	Y	Y	W+Y	W+Y	Y+P	Y+P	P+P	P+B
ATML + GA ATM (*)		W+W	Y	Y	W+Y	W+Y	Y+Y	Y+P	P+P	P+P
ATML + KIT ATML LIGHT R/G 2W + GA ATM (*)		W+W	Y	Y	W+Y	W+Y	Y+Y	Y+P	P+P	P+B
ATML + PCA ATM + GA ATM (*)		W+W	Y	W+Y	W+Y	Y+Y	P+P	P+P	P+B	B+B
ATML + KIT ATML LIGHT R/G 2W + PCA ATM + GA ATM (*)		Y	Y	W+Y	W+Y	Y+Y	P+P	P+P	P+B	B+B
ATML + RST ATM		W+W	Y	W+Y	W+Y	Y+Y	P+P	P+P	P+B	B+B
ATML + RST ATM + KIT ATML LIGHT R/G 2W		Y	Y	W+Y	W+Y	Y+Y	P+P	P+P	P+B	
ATML + RST ATM + GA ATM (*)		Y	Y	W+Y	Y+Y	Y+Y	P+P	P+B	B+B	
ATML + RST ATM + KIT ATML LIGHT R/G 2W + GA ATM (*)		Y	W+Y	W+Y	Y+Y	Y+Y	P+P	P+B	B+B	

(\*) GA ATM = EBB KIT ATML



# SPRING TABLE

# MAXIMA ULTRA 68 + OMEGA FRC ATML U



## SPRING TABLE

**Do not increase the bar weight by applying other accessories**

### SPRING TYPE

SPRING	WIRE	COLOR
W+W	Ø 7.5 + Ø 7.5	White + White
W+Y	Ø 7.5 + Ø 9.0	White + Yellow
Y	Ø 9.0	Yellow
Y+Y	Ø 9.0 + Ø 9.0	Yellow + Yellow
Y+P	Ø 9.0 + Ø 9.5	Yellow + Purple
P+P	Ø 9.5 + Ø 9.5	Purple + Purple
P+B	Ø 9.5 + Ø 11.0	Purple + Black
B+B	Ø 11.0 + Ø 11.0	Black + Black

ACCESSORIES	L (mm)	4000	4500	5000	5500	6000	6500	7000	7500	8000
ATML		W+W	Y	Y	W+Y	W+Y	Y+Y	Y+P	Y+P	P+P
ATML + KIT ATML LIGHT R/G 2W		Y	Y	W+Y	W+Y	Y+Y	Y+Y	Y+P	P+P	P+P
ATML + PCA ATM		Y	W+Y	W+Y	W+Y	Y+Y	Y+Y	P+P	P+B	P+B
ATML + KIT ATML LIGHT R/G 2W + PCA ATM		Y	W+Y	W+Y	Y+Y	Y+Y	Y+P	P+P	P+B	B+B
ATML + GA ATM (*)		Y	W+Y	W+Y	W+Y	Y+Y	Y+Y	P+P	P+B	P+B
ATML + KIT ATML LIGHT R/G 2W + GA ATM (*)		Y	W+Y	W+Y	W+Y	Y+Y	Y+Y	P+P	P+B	P+B
ATML + PCA ATM + GA ATM (*)		Y	W+Y	W+Y	Y+Y	Y+Y	P+P	P+B	P+B	B+B
ATML + KIT ATML LIGHT R/G 2W + PCA ATM + GA ATM (*)		Y	W+Y	W+Y	Y+Y	Y+Y	P+P	P+B	B+B	B+B
ATML + RST ATM		Y	W+Y	W+Y	Y+Y	Y+Y	P+P	P+B	B+B	B+B
ATML + RST ATM + KIT ATML LIGHT R/G 2W		Y	W+Y	W+Y	Y+Y	Y+Y	P+P	P+B	B+B	B+B
ATML + RST ATM + GA ATM (*)		W+Y	W+Y	Y+Y	Y+Y	Y+Y	P+P	P+B	B+B	B+B
ATML + RST ATM + KIT ATML LIGHT R/G 2W + GA ATM (*)		W+Y	W+Y	Y+Y	Y+Y	Y+Y	P+P	B+B	B+B	B+B

(\*) GA ATM = EBB KIT ATML

date 10/02/2020

