

# REV

Automation for industrial sliding gates  
up to 1400 kg



For collective and  
industrial usage



Available in 230V and 24V



Range of irreversible or  
reversible motors in an oil  
bath



# REV



Additional fan ventilation (230V versions), with magnetic encoder

Control board positioned in a lifted position at the front. Always accessible and perfect for small or narrow spaces



Models available with magnetic limit switches



The reversible models of this operator allow the manual movement of the gate without having to unlock the motor and satisfy some safety measures typical of installations in public contexts.

The DE@NET universal control board makes this operator compatible with NETLINK System.

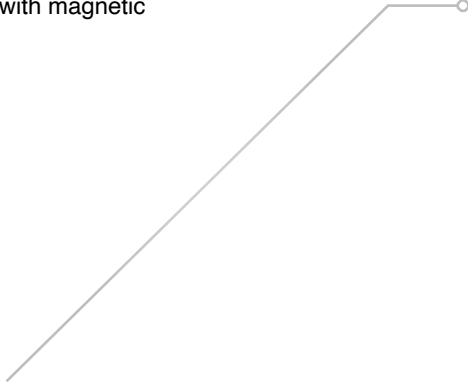


Compatible with NETCOM, the device for installation maintenance and remote control management!



**NETCOM**

Compatible with IRONBOX and IRONBOX/XS vandal-proof box for installations in challenging or industrial environments





## Models

### 230V ~ operators with control board, limit switches and encoder



COD.	Art.				OTHER CHARACTERISTICS
616000	REV220	1400 kg*		NET230N	<ul style="list-style-type: none"> <li>• Self-locking with limit switches</li> <li>• Speed adjustment and slow down in opening and closing</li> <li>• Motor control by encoder and obstacle detection</li> </ul>
616003	REV220/M	1400 kg*		NET230N	<ul style="list-style-type: none"> <li>• Self-locking</li> <li>• Magnetic limit switches</li> <li>• Speed adjustment and slow down in opening and closing</li> <li>• Motor control by encoder and obstacle detection</li> </ul>
616001	REV220/RF	1400 kg*		NET230N	<ul style="list-style-type: none"> <li>• Not self-locking with brake in opening and closing</li> <li>• Limit switches</li> <li>• Oil bath</li> <li>• Speed adjustment and slow down in opening and closing</li> <li>• Motor control by encoder and obstacle detection</li> </ul>
616004	REV220/RFM	1400 kg*		NET230N	<ul style="list-style-type: none"> <li>• Not self-locking with brake in opening and closing</li> <li>• Magnetic limit switches</li> <li>• Oil bath</li> <li>• Speed adjustment and slow down in opening and closing</li> <li>• Motor control by encoder and obstacle detection</li> </ul>

All models have (IB version excluded): control board and fixing plate to be cemented included

\* If using an oversized pinion art. Z22, the maximum weight of the leaf should be reduced by 30%

### 24V = operators with control board and limit switches

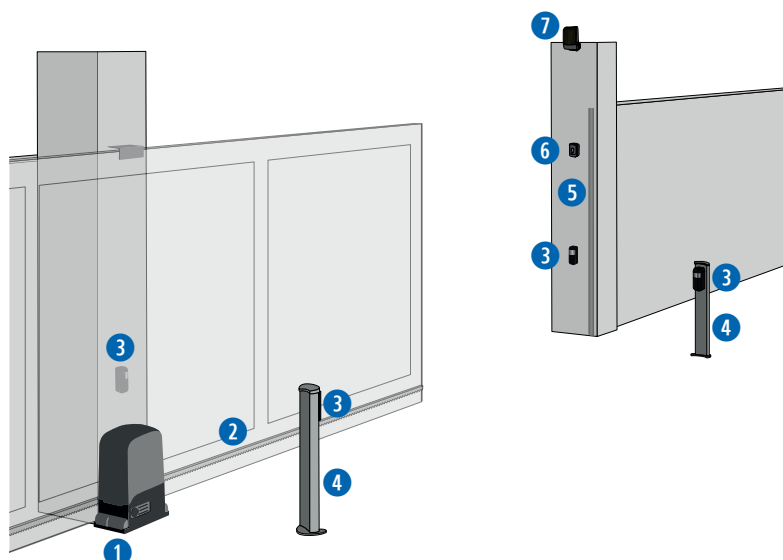


COD.	Art.				OTHER CHARACTERISTICS
616011	REV24/F	1400 kg*		NET24N	<ul style="list-style-type: none"> <li>• Self-locking with limit switches</li> <li>• Speed adjustment and slow down in opening and closing</li> </ul>
616012	REV24/M	1400 kg*		NET24N	<ul style="list-style-type: none"> <li>• Self-locking</li> <li>• Magnetic limit switches</li> <li>• Speed adjustment and slow down in opening and closing</li> </ul>

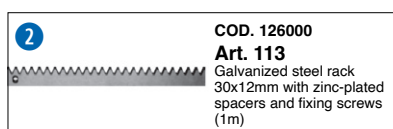
All models have (IB version excluded): control board and fixing plate to be cemented included

\* If using an oversized pinion art. Z22, the maximum weight of the leaf should be reduced by 30%

## Example of a typical installation



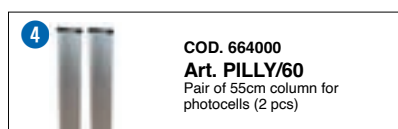
**1** COD. 616000  
**Art. REV220**  
Operator for collective sliding gates



**2** COD. 126000  
**Art. 113**  
Galvanized steel rack 30x12mm with zinc-plated spacers and fixing screws (1m)



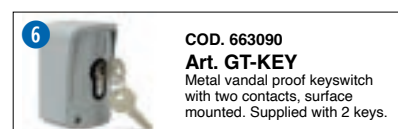
**3** COD. 662080  
**Art. LINEAR/XS**  
Pair of mini synchronizable photocell for outdoor installation. Maximum range 20m



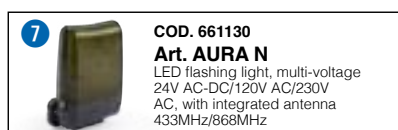
**4** COD. 664000  
**Art. PILLY/60**  
Pair of 55cm column for photocells (2 pcs)



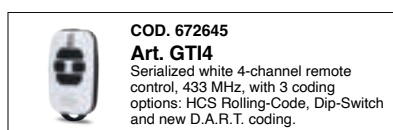
**5** COD. 171035  
**Art. C-20**  
Mechanical edge L=2m



**6** COD. 663090  
**Art. GT-KEY**  
Metal vandal proof keyswitch with two contacts, surface mounted. Supplied with 2 keys.



**7** COD. 661130  
**Art. AURA N**  
LED flashing light, multi-voltage 24V AC-DC/120V AC/230V AC, with integrated antenna 433MHz/868MHz

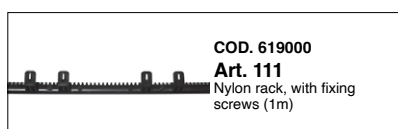


COD. 672645  
**Art. GTI4**  
Serialized white 4-channel remote control, 433 MHz, with 3 coding options: HCS Rolling-Code, Dip-Switch and new D.A.R.T. coding.

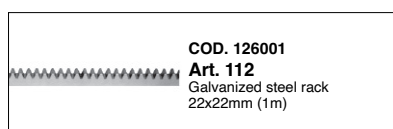


COD. 668010  
**Art. 127**  
Warning sign

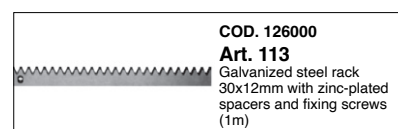
## Specific accessories



COD. 619000  
**Art. 111**  
Nylon rack, with fixing screws (1m)



COD. 126001  
**Art. 112**  
Galvanized steel rack 22x22mm (1m)



COD. 126000  
**Art. 113**  
Galvanized steel rack 30x12mm with zinc-plated spacers and fixing screws (1m)



COD.619041  
**Art. 451**  
Unlocking device kit for REV (4,5m). To be used in connection with BLINDOS



COD. 665000  
**Art. BLINDOS**  
Aluminium safety enclosure, with European cylinder, ready for unlocking device by cable.



COD. 672920  
**Art. D-BAND KIT**  
Wireless transmitter and receiver kit in 868 MHz, for resistive or mechanical safety edges



COD. 171035  
**Art. C-20**  
Mechanical edge L=2m



COD. 171039  
**Art. CR-20**  
Safety resistive edge L=2m according to EN12978



COD. 171034  
**Art. C-16**  
Mechanical edge L=1.6m



COD. 171040  
**Art. CR-25**  
Safety resistive edge L=2.5m in compliance with EN12978



COD. 171044  
**Art. CC-20**  
Conductive edge L=2m



COD. 667053  
**Art. SOFT3**  
Safety rubber profile (complete with aluminium base) useful to reduce the impact forces for sliding and swing gates (12m)



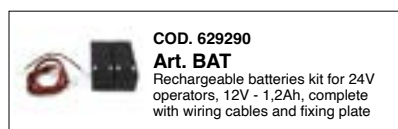
COD. 360674  
**Art. Pignone Z15/IB**  
Galvanized pinion for IRONBOX M=4 Z=15 Øe=68mm h=60mm



COD. 360673  
**Art. Pignone Z18/IB**  
Galvanized pinion for IRONBOX M=4 Z=18 Ø=80mm h=60mm



COD. 619090  
**Art. Pignone Z22\***  
Oversized pinion for REV M=4 Z=22 Ø=96mm h=30mm



COD. 629290  
**Art. BAT**  
Rechargeable batteries kit for 24V operators, 12V - 1,2Ah, complete with wiring cables and fixing plate

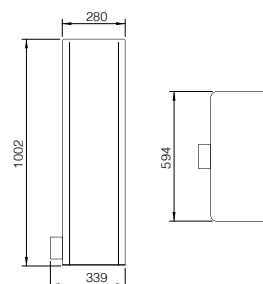
\* If using an oversized pinion art. Z22, the maximum weight of the leaf should be reduced by 30%

MAG

# IRONBOX

cod. 619080

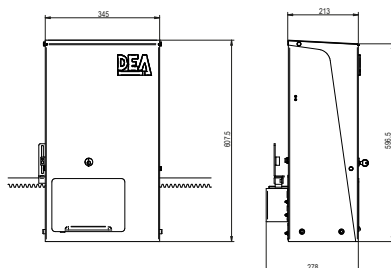
RAL 9006 painted steel vandal-proof box (Colour: RAL 9006) for REV (IB models) with magnetic limit switch (code 619070) and foundation plate.



# IRONBOX/XS

cod. 619100

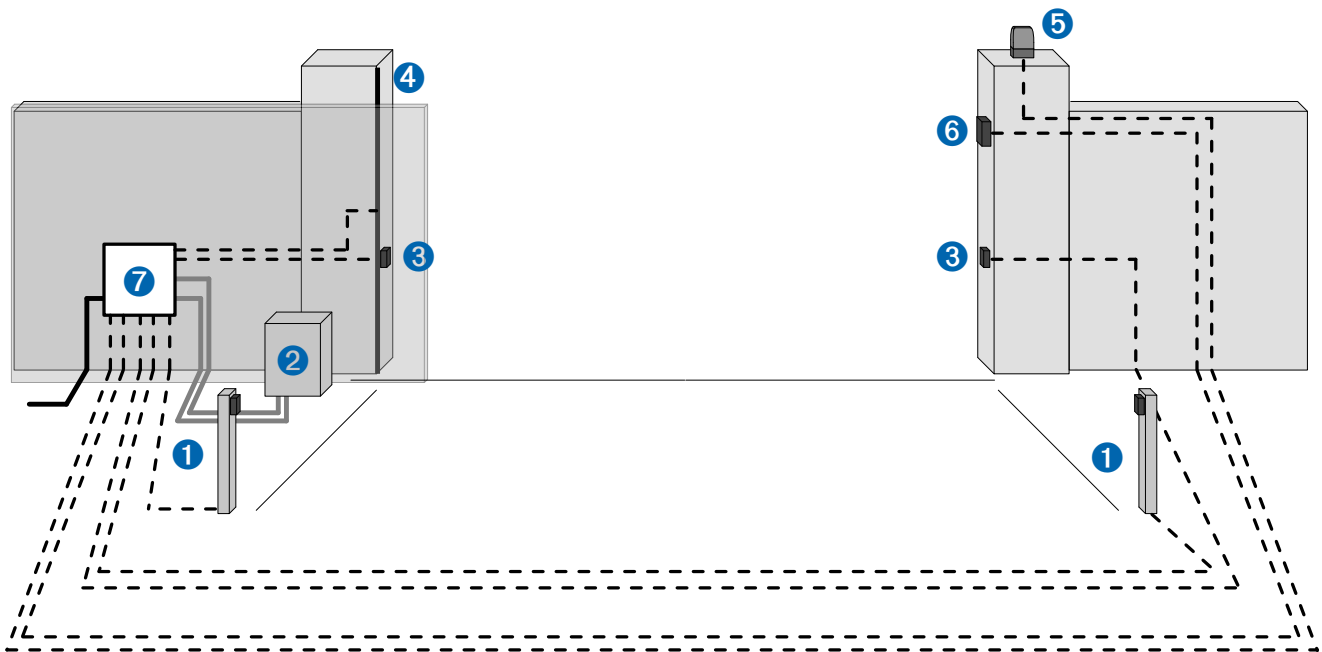
Painted steel vandal-proof box (Colour: Grey MICA P3-197 and RAL 9006) for REV (models IB) with magnetic limit switch (code 619070) and foundation plate.



## Technical info

TECHNICAL INFO	REV220 - REV220/M REV220/IB	REV220/RF - REV220/RFM REV220/RF/IB	REV24/F - REV24/M REV24/IB
Motor power supply (V)	230V ~ ± 10 % (50/60 Hz)		24V ~
Maximum power absorption (W)	500		250
Max thrust (N)	900	1200	450
Duty cycle (cycles/hours) for an 8m leaf length	27 for gates up to 1000kg 22 for gates up to 1400kg		36 for gates up to 1000kg 31 for gates up to 1400kg
N. max. cycles in 24h. for an 8m leaf length	270 for gates up to 1000kg 220 for gates up to 1400kg	300 for gates up to 1000kg 250 for gates up to 1400kg	
Built-in capacitor (µF)	14	12,5	\
Operating temperature (°C)	-20 ÷ 50		
Motor thermal protection (°C)	150		\
Speed (m/min)	10		12
Standard pinion	Z18	Z15	Z18
Weight with packing (Kg)	18		
Sound pressure (dBA)	< 70		
Protection level	IPX4 (IP44 with magnetic limit switches)		

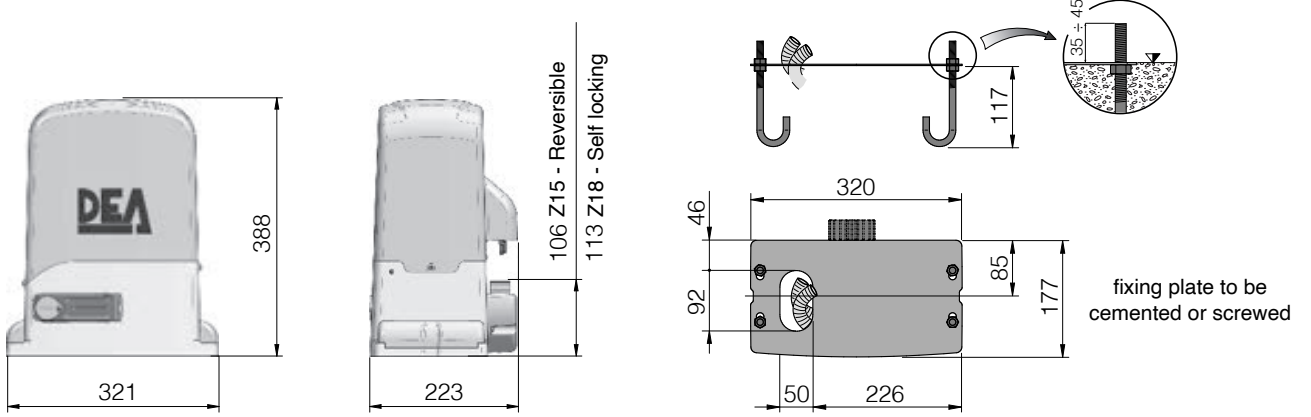
## Wiring



- Corrugated pipe for power supply cable
- Ø40 corrugated pipe for connection between the control board and the junction box
- - - Ø20 corrugated pipe or external PVC conduit for connection between the control board and the command and safety accessories

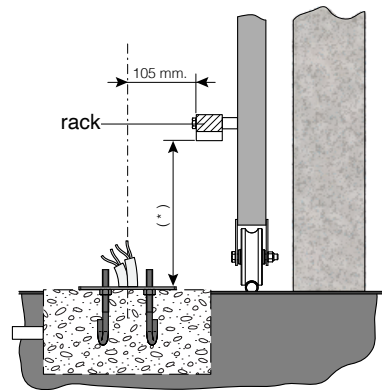
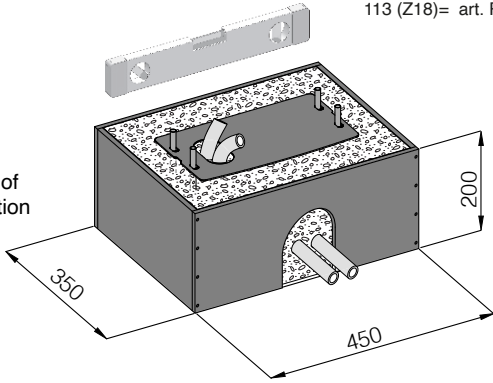
- | pos. | description           |
|------|-----------------------|
| 1    | Column with photocell |
| 2    | Operator              |
| 3    | Photocells            |
| 4    | Safety edge           |
| 5    | Flashing light        |
| 6    | Keyswitch / Digikey   |
| 7    | Junction box          |

# Dimensions



106 (Z15)= art. REV220/RF - REV220RFM  
 113 (Z18)= art. REV220 - REV220/M

example of cementation



\*

Z15 - Reversible	100 mm
Z18 - Self locking	106 mm

fixing plate to be cemented or screwed




---



---



---



---

# DEAuser



DEAuser is the app for **private users** that allows activation of automation at **close proximity** via Bluetooth.

By installing NET-NODE on all devices with NETLINK technology, you can control your gate through your smartphone.

To be used with:



Art.NET-NODE 2.0  
Cod. 677642





# DEAinstaller



DEAinstaller is the App dedicated to the **professional installer** and allows Installers to program and manage DEA automations on-site in a simple and intuitive way from their smart devices.

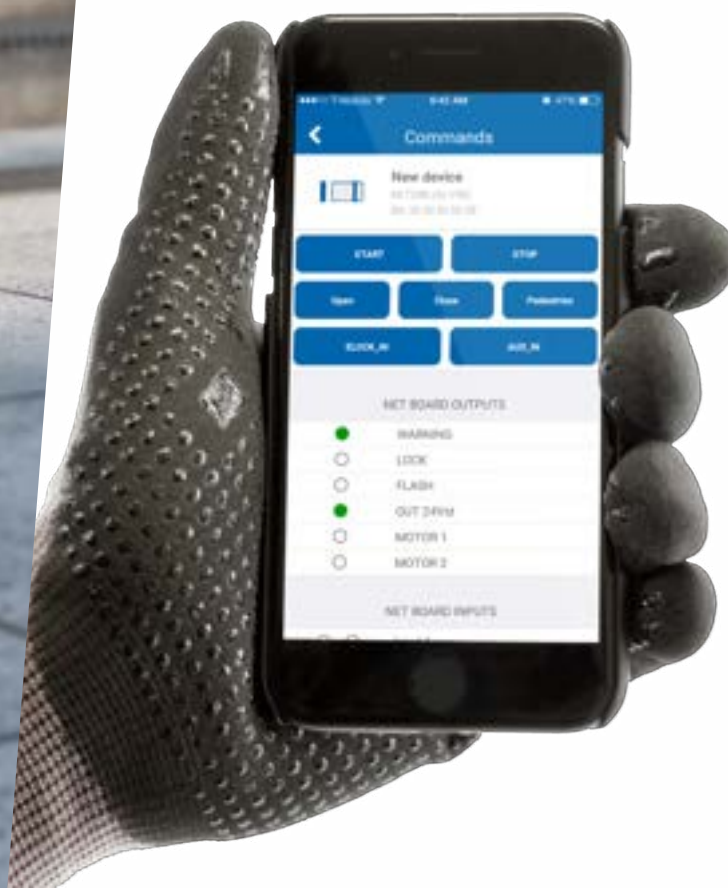
If you use it with the NET-NODE you can:

- ✓ keep a **data backup** of all your installations
- ✓ easily adjust the **parameters** of your control boards
- ✓ update the **firmware**
- ✓ program the **maintenance**
- ✓ manage or customise the **remotes**
- ✓ read **technical manuals** or have a look at the **electrical connections**
- ✓ control the **inputs** and **output** of the control boards
- ✓ **control** the automation with the App

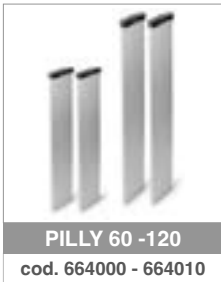
To be used with:



Art.NET-NODE 2.0  
Cod. 677642



## Generic accessories



## #safeasyoulike!

### Non-copyable remotes!

GTI remotes are multi-function. They have three coding possibilities: DIP SWITCH, Rolling Code and D.A.R.T. the new DEA advanced coding.

You can customise the code of the remotes to guarantee the maximum security to your customer.

- D.** DEA
- A.** Advanced
- R.** Rolling Code
- T.** Transmission

Looking for **total safety**?  
With **NET-BOX** each installer can customise the code of your GTI remotes.



## #colourasyoulike!

Choose your favorite colour!

GTI remotes can be customised with button kits in seven colours: green, light green, blue, pink, yellow, orange and purple.



**Note:** button kits are supplied in packs of 5. The remote must be ordered separately.



# NETLINK

is our technology applied to DEA devices for the smart management of your installations, both **locally** and **remotely**.

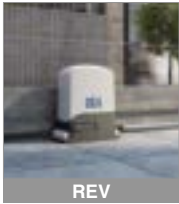


## Our range

### Automations for sliding gates



LIVI N



REV

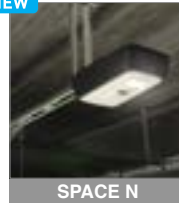


GULLIVER



### Automations for sectional doors

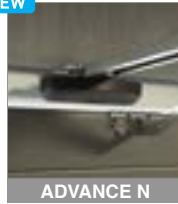
NEW



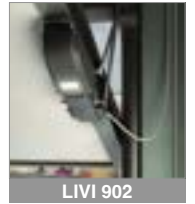
SPACE N



NEW



ADVANCE N



LIVI 902



### Automations for swing gates

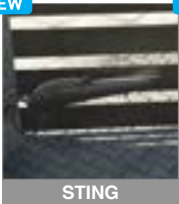
NEW



MAC



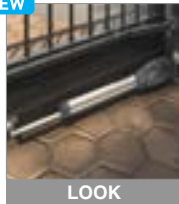
NEW



STING



NEW



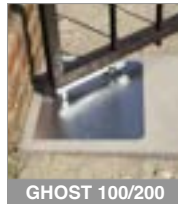
LOOK



GEKO



LIVI 502



GHOST 100/200



OLI N



### Automations for industrial gates



LATO

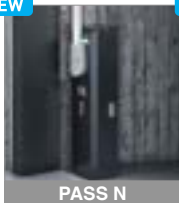


550 PL



### Barriers

NEW



PASS N



NEW



STOP N



TRAFIK



### Bollards



ROCK



**DEA**<sup>®</sup>  
move as you like

**HEADQUARTER**  
**DEA SYSTEM S.p.A.**  
Via della Tecnica, 6 - 36013 Piovene Rocchette (VI) - ITALY  
☎ + 39.0445.55.07.89 - 📠 + 39.0445.55.02.65  
info@deasystem.com - www.deasystem.com

Branches > Italia, France, United Kingdom, Ireland, España,  
Portugal, Polska, Deutschland, Беларусь

> **HEAD OFFICE**  
**DEA System UK & IRE**  
Sandholes Road - Cookstown - Co. Tyrone  
BT80 9AR - IRELAND  
☎ + 44 (0)28 8676 6476 - 📠 + 44 (0)28 8676 2414  
info@deasystem.net

**DEA System UK & IRE**  
Unit 31 - The IO Centre - Hearle Way - Hatfield - Hertfordshire  
AL10 9EW - UNITED KINGDOM  
☎ + 44 (0)1707 246 599  
contact@deasystem.net