

# FTX 8K01MB-0561




CAME 



## 24V SWING GATE KIT FOR A PAIR OF GATES

Up to 200kg @ 2m or up to 250kg @ 1m per leaf



Code	Description	Quantity
<b>801MB-0120</b> 	FTX20DLS - Irreversible gear motor with articulated transmission arm for swing gates up to 2 m for leaf and C max. 250 mm. RAL7024 grey cover.	2
<b>ZLX24S</b> 	Multifunctional control panel, with 230 V AC power supply, for 24 V double-leaf gates, with programming and graphical signaling display, self-diagnosis of safety devices, Adaptive Speed & Torque Technology, CXN BUS, 4 safety inputs and storage for up to 1000 users.	1
<b>001AF43S</b>	Plug-in radio-frequency control card	1
<b>806TS-0250</b>	TTS44RK5 - Four-channel 433.92 MHz rolling code transmitter. 4,294,967,896 combinations.	2
<b>001TOP-A433N</b>	Tuned Antenna.	1
<b>806TF-0100</b> 	Pair of surface mounted synchronised infra-red beam BUS photocells.	1



# FTX20DLS

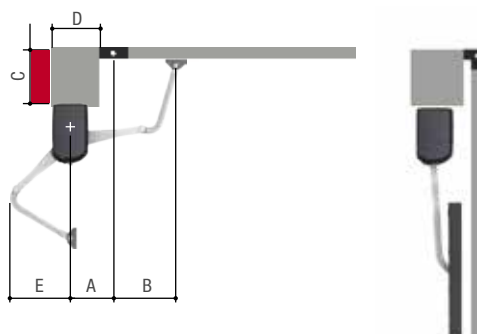
Gate leaves of up to 2 m



## Ideal solution for residential or condominium applications on small and medium-sized pillars

- Enables compliance with the current regulations regarding impact forces
- User-friendly release lever for manually opening the gate.
- Can operate in emergency mode during power outages.
- Self-diagnosing safety devices – whether wireless or not.
- Electronic board, with separate terminal blocks and display, to facilitate start-up and diagnosis phases. Storing for up to 250 different users.
- Radio programming Rolling code and integrated Key Code (Twin).
- Devices developed for connection to the cloud, via CAME Connect.
- Management of the Rio series wireless security accessories using the dedicated plug-in accessory. Used to directly manage CAME key pads using the R800 accessory or connect CAME transponder selectors using the R700 accessory.

### Dimensions (mm)



### Application dimensions (mm)

MODELS	801MB-0120			
LEAF OPENING (°)	A	B	D	C Max.
90	140 ÷ 210	540	Min. 150	0 ÷ 50
90	140 ÷ 200	510	Min. 150	75 ÷ 200
90	150 ÷ 180	510	Min. 150	225 ÷ 250
110	200 ÷ 220	480	Min. 150	0 ÷ 50

### Operational limits

MODELS	801MB-0120			
Max. length of leaf (m)	2	1.7	1.5	1
Max. weight of leaf (kg)	200	225	230	250

### Technical characteristics

MODELS	801MB-0120
Protection rating (IP)	44
Power supply (V - 50/60 Hz)	-
Power supply to motor (V)	24 DC
Absorption (A)	4 Max.
Power (W)	140
Manouversing speed (m/min)	from 20 to 30
Operating temperature (°C)	-20 ÷ +55

# ZLX24S

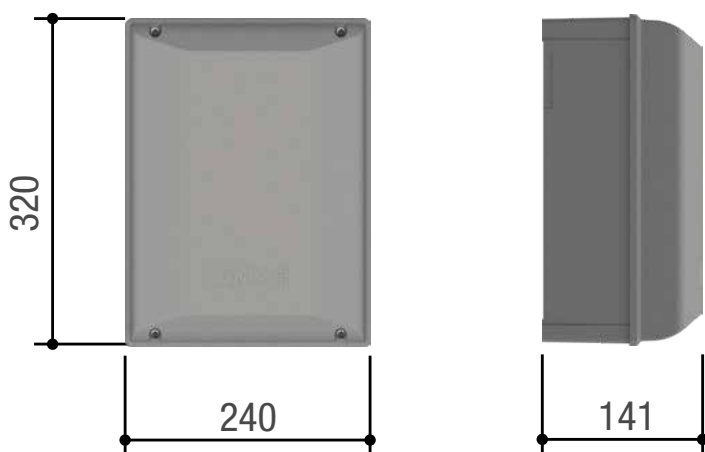
Control panel



## Control panel for 24V gearmotors

- Multifunction control panel for swing gates with two leaves. Graphic programming display and signalling and self-diagnostics using safety devices.

### Dimensions (mm)



### FUNCTIONS

MODEL	801QA-0060
Settable safety inputs	4
CNX BUS inputs	YES
Output B1 - B2	YES
RIO System 2.0	YES
CAME KEY and Gateway slot	YES
Adaptive Speed and Torque Technology	YES
Virtual Encoder management	YES
Users number	1000
Clock module	YES
PCB plastic cover	YES

### TECHNICAL FEATURES

MODEL	801QA-0060
Protection rating (IP)	54
Power supply (V - 50/60 Hz)	230 AC
Operating temperature (°C)	-20 ÷ +55
RAL color	7024
Cabinet material	ABS

- 24 V DC

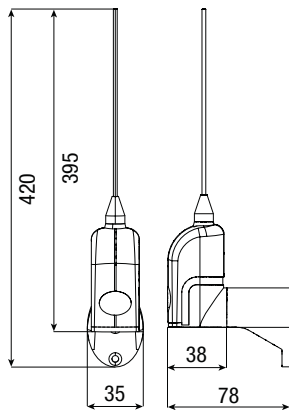
# ACCESSORIES

## TOPA433N

Tuned Antenna for 433.92Mhz



### Dimensions (mm)



### Operational limits

MODELS	TA433N
Max. range of radio (m)	50 ÷ 150

### Technical characteristics

MODELS	TA433N
Radio signal frequency (Mhz)	433.92Mhz

## AF43S

Radio frequency control card 433.92MHz



- Dip-switches for code and function selection
- Function enabling button
- Red signalling LED
- Green signalling LED
- Backup board
- Plug-in connector on receivers

### Technical characteristics

MODELS	AF43S
Power supply (V±10%)	5
Current draw (mA)	5.5
Encoding type	ASK
Operating temperature (°C)	-20 to +55
Sensitivity (dBm)	-107

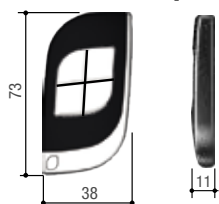
## TTS44RKS

Rolling code 433.92 radio control



- Self-learning from transmitter to transmitter.
- Self-learning from TOP, TAM and TWIN series radio controls.
- Removable battery compartment for easy replacement.
- It can be configured remotely via gateway or locally via GAME KEY.

### Dimensions (mm)



### Operational limits

MODELS	806TS-0250
Max. range of radio (m)	50 ÷ 150

### Technical characteristics

MODELS	806TS-0250
Combinations	4.294.967.896
Radio signal frequency (Mhz)	433,92
Operating temperature (°C)	-20 ÷ +55
Material	POLYCARBONATE - ZAMAK

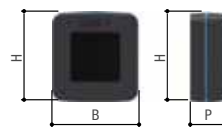
## DLX BUS

Photocells



- Control the gate's area of movement
- It can synchronize up to eight pairs of photocells, with no disturbances, plus no wiring required between the transmitter and the receiver.
- Adjustment of the infrared beam range from 10 to 30 meters.
- Filter function to prevent false detections due to bad weather or direct sunlight.
- Settable contact output so the photocell can double as a control device.
- Alignment function between transmitter and receiver.

### Dimensions (mm)



### Operational limits

MODELS	806TF-0100
Max. range of radio (m)	30

### Technical characteristics

MODELS	806TF-0100
Protection rating (IP)	54
Power supply (V)	CXN BUS
Absorption	-
Max. rating of 24 V (A) relay contacts	-
Operating temperature (°C)	-20 ÷ +55
Material	ABS – ALUMINIUM