

# 434/HG

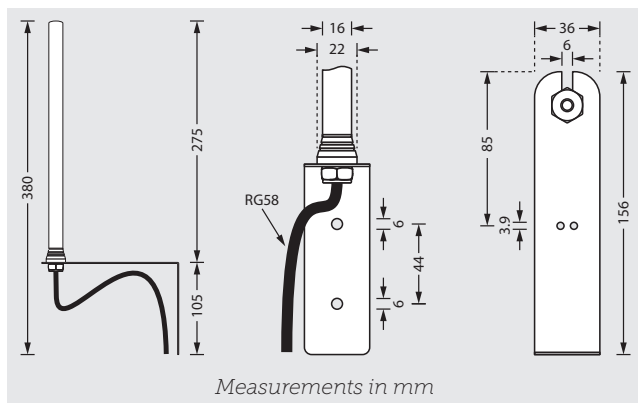
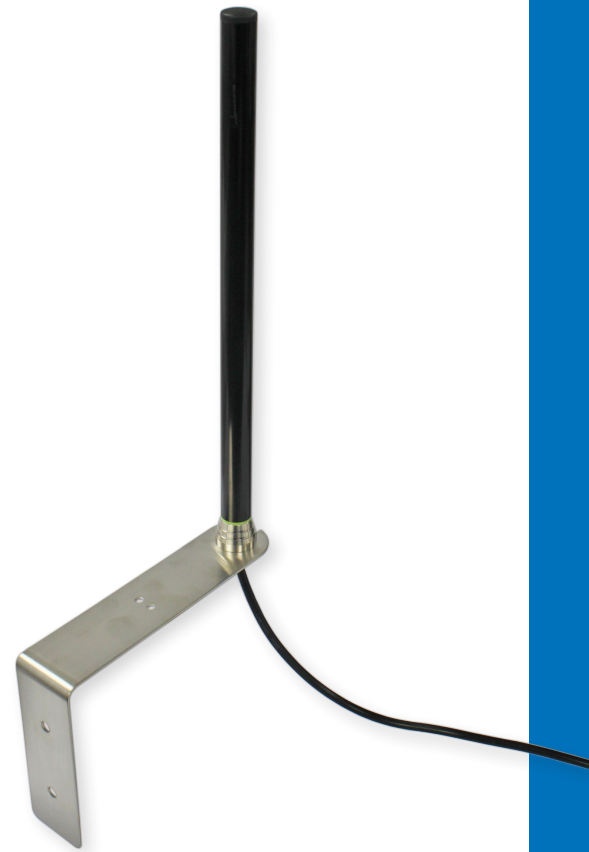
## GSM High Gain Antennas 434/HG/5M and 434/HG/15M



The Art.434/HG/5M and Art.434/HG/15M high gain antennas can be used with any of the VIDEX range of GSM intercom modules:

- GSM4K PRO series (Art.4810).
- GSMVRK series (Art.150).
- Digital GSM (Art.4812, Art.4812R).
- Art.2270 GSM interface.

With its robust and sturdy design it can be mounted externally and can be used on a 2G, 3G or 4G network.



Measurements in mm

### RF & Electrical Specification

<b>Network Coverage</b>	2G, 3G and 4G networks
<b>Working Frequency</b>	GSM (824-960/900MHz), PCN (1710-1880MHz), DCS (1850-1990MHz), UMTS (2.1GHz), WiFi (2400MHz), 4G/LTE (700-2600MHz)
<b>Gain</b>	2 dBi (max.)
<b>V.S.W.R.</b> (Voltage Standing Wave Ratio)	< 2:1 in all bands
<b>Polarization</b>	Vertical
<b>Impedance</b>	50 Ohms

### Data, Materials & Dimensions

<b>Cable</b>	RG58 coax cable
<b>Cable Length</b>	5m (/5M) and 15m (/15M)
<b>Connector</b>	SMA male
<b>Materials</b>	Antenna Tube: ABS Antenna Base: metal
<b>Colour</b>	Black
<b>Mounting</b>	External use, surface mount
<b>Dimensions (mm)</b>	Main antenna: 275 (H), 380 (H) inc. L bracket. Antenna Tube Diameter: 16 L bracket: 105 (H) x 156 (L) x 36 (W)

### VIDEX SECURITY LTD.

#### Main UK Office

1 Osprey, Trinity Park, Trinity Way,  
London, E4 8TD  
tel: 0370 300 1240 - fax: 020 8523 5825

[www.videxuk.com](http://www.videxuk.com)

#### Northern UK Office

Unit 4-7 Chillingham Ind. Estate, Chapman Street,  
Newcastle Upon Tyne, NE6 2XX  
tel: 0370 300 1240 - fax: 0191 224 1559

