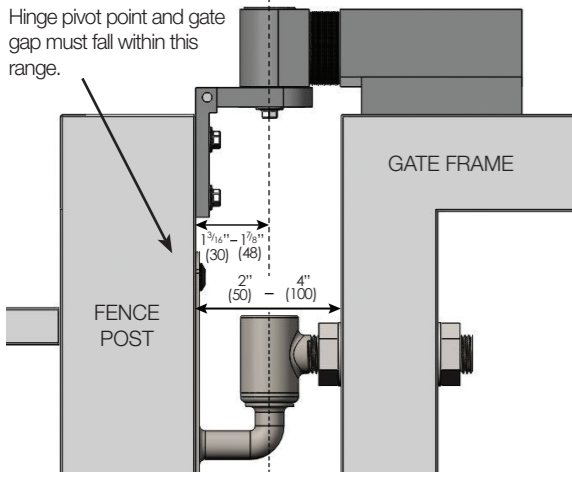


Installation Instructions

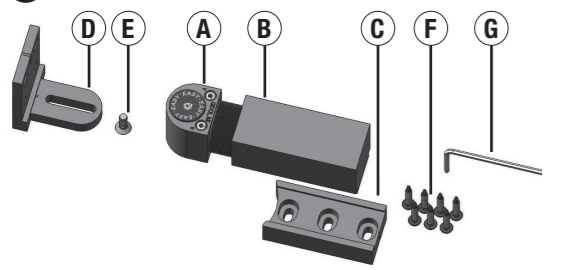
Tools required for installation.

- Cordless drill
- 5/16" (8mm) socket drive
- 11/64" (4.5mm) drill bit
- 3/8" (10mm) wrench
- Center punch
- 4mm Allen key (provided)
- Pencil
- Level

1 EASY Closer Dimensional Ranges

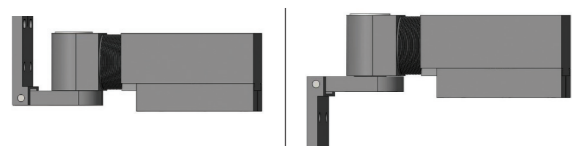


2 Component Exploded View



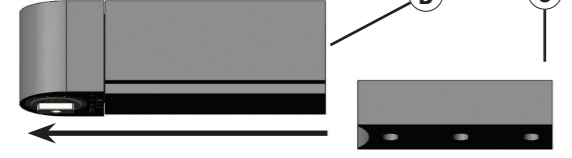
3 Installation options

The product is usually installed on top of the gate. By flipping the bracket D, the product can be installed on posts that are higher or lower than the gate.



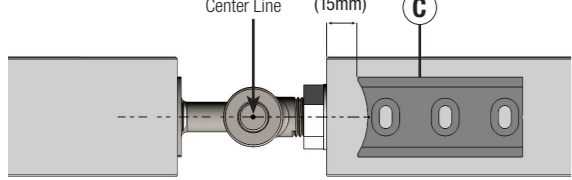
4 Installation

Separate C from B by first removing the adhesive sticker and sliding off.

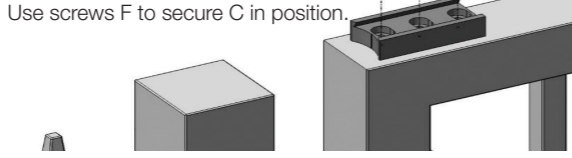


5 Marking out

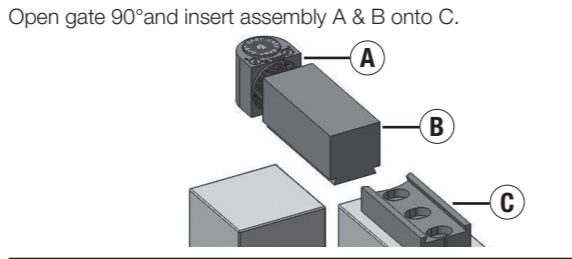
On the top of the gate, align the center line of the hinge (pivot point) with the center line of gate bracket C and mark with pencil using the alignment groove on the side of C. Position C on this center line 15mm from the edge of the gate.



6 Secure Bracket C

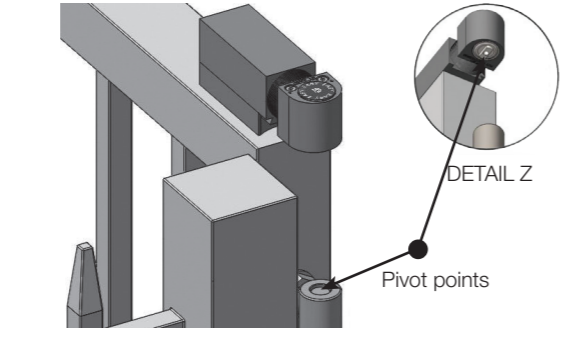


7 Insert Hydraulic Unit



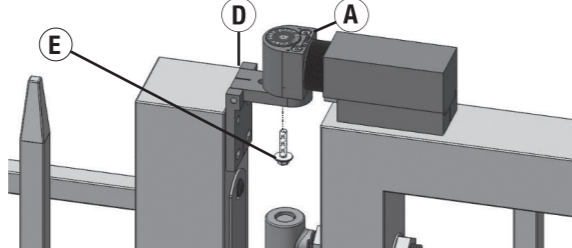
8 Align pivot points

Align rear faces of B and C and maintain alignment during installation. Unscrew component A until the pivot point "DETAIL Z" and the hinge pivot point are aligned.



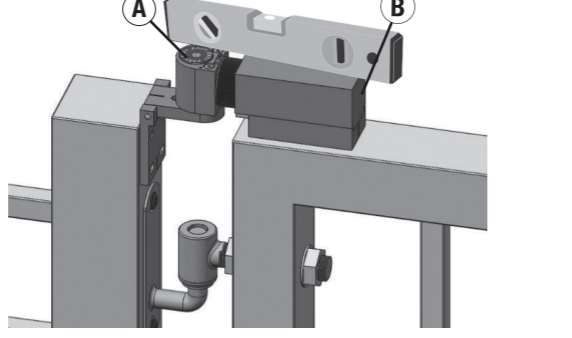
9 Assemble Post Bracket to Hydraulic Unit

Position Bracket D on post and secure to A using screw E.



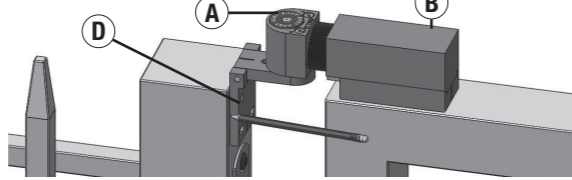
10 Level components

Check that the top Surface of A and B are level as A can rotate.



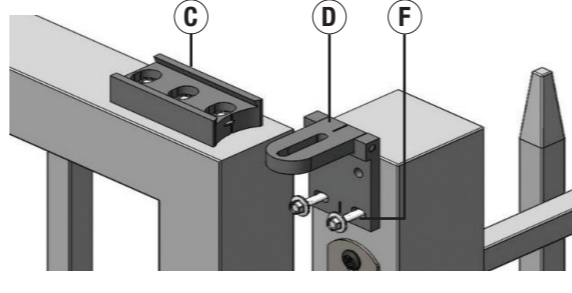
11 Mark Bracket

Using the pencil, mark the position of D on fence post, ensuring that A, B and D all are level.



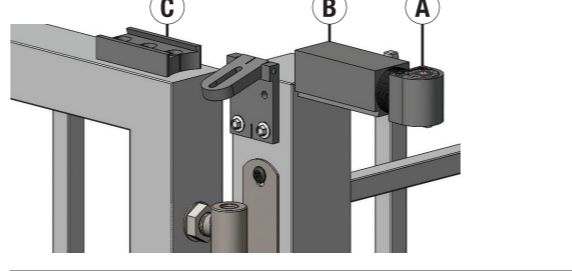
12 Fasten Bracket D

Remove screw E, open gate and slide A and B off of C. Position bracket D where previously marked. Use pencil to mark centers of the two bottom slots on D. Use Center Punch and 11/64" (4.5mm) drill bit. Insert two F screws.



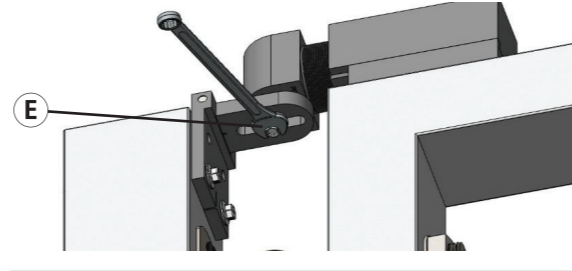
13 Reposition Hydraulic Unit

Re-attach components A and B onto C. Align rear faces of B and C.



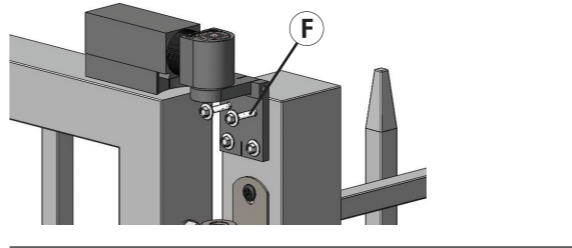
14 Secure components

Close gate and ensure hydraulic unit A and gate hinge pivot point are aligned. Insert and tighten screw E into bottom of A using a 3/8" (10mm) wrench.



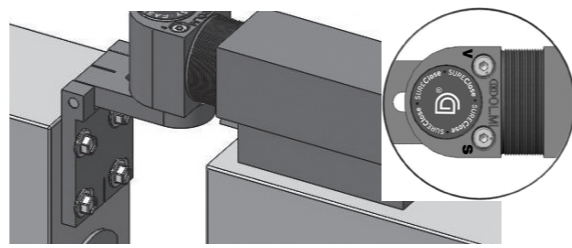
15 Fasten Bracket Top holes

Open gate and ensure A and D are level. Insert the two remaining F screws into the top holes on D.



16 Final Check & Adjustments

Open and close gate a few times to determine proper gate speed. Using the Allen key supplied, adjust the "V" nozzle for closing speed and the "S" nozzle for final snap action.

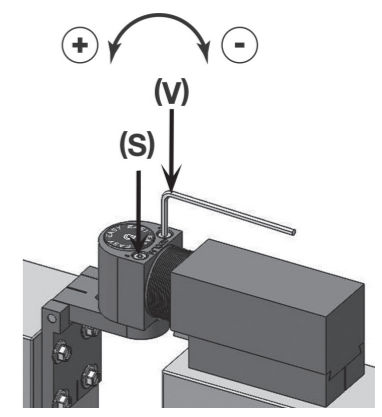
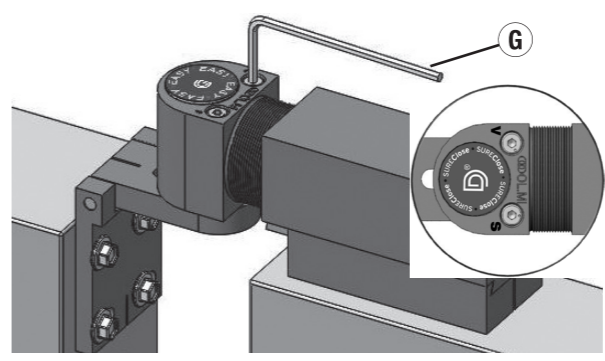


SureClose EASY Hydraulic Closer

ADJUSTING THE CLOSING SPEED AND FINAL 'SNAP' ACTION

CAUTION:

Sensitive adjustment, rotate 1/4 turn at a time.
V = Closing Speed
S = Final Snap Action
Turn nozzles clockwise to decrease speed & counter clockwise to increase speed.



IMPORTANT:

Use dimple to determine how far nozzle has turned. DO NOT turn adjustment nozzles more than 2 complete rotations DO NOT unscrew nozzle past the surface of the body.

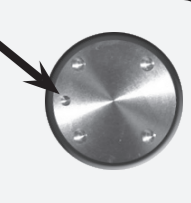


CAUTION:

DO NOT remove adjustment nozzles or disassemble hinge. Doing so voids warranty.

* SF models have 5 dimples.

Remove A from B to verify SF model before installation. SF models are for child and pool safety and have no hold open feature.



CENTER MOUNTING



Gate stop must be installed when using SF models.

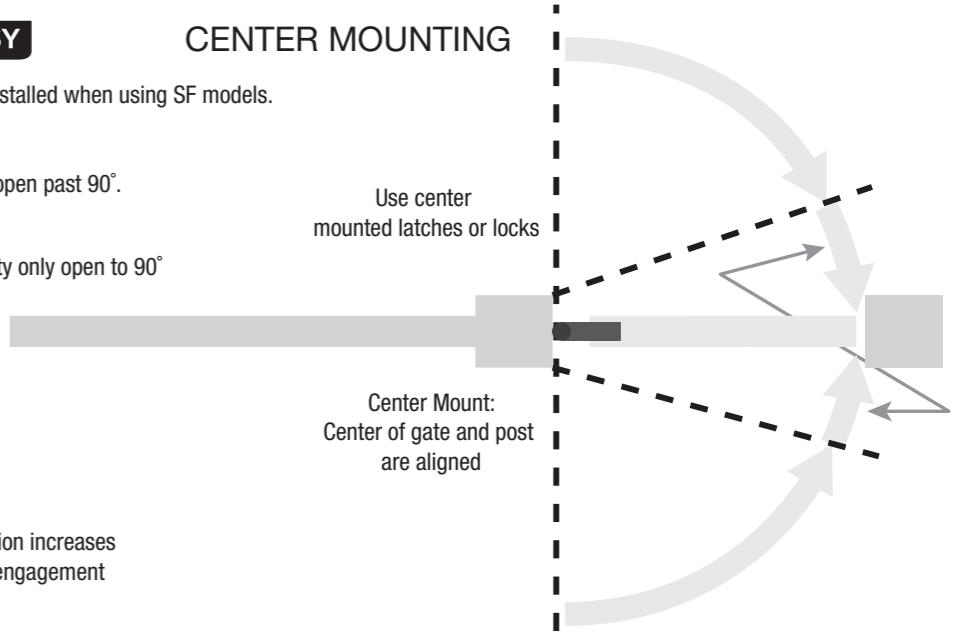
Gate must not be allowed to open past 90°. Doing so voids warranty.

SF models for child/pool safety only open to 90°
No built in hold at 90°

DO NOT PROP GATE OPEN

Gate swings 90° IN and OUT

Model No 108 Final Snap Action increases speed at end to ensure lock engagement



MAINTENANCE REQUIREMENTS

- A gate stop must be installed when using SF models. Gate must not be allowed to open past 90°. Doing so voids warranty.
- Ensure the gate does not swing through the line of the fence. Use a "gate stop" or a latch (with striker) to prevent this.
- The anodized aluminium mounting brackets do not need finishing, but they may be painted.
- DO NOT powder coat the EASY closer (A), but they may be painted.
- DO NOT turn the adjustment nozzles more than two (2) full rotations.
- DO NOT unscrew nozzle past the surface of the body.
- DO NOT remove the adjustment nozzles or disassemble the hinges at any time. Doing so voids warranty.
- Ensure the EASY is kept free of sand, ice and other debris that could impair effective operation.

