





230V SWING GATE KIT FOR A PAIR OF GATES

Up to 550kg @ 7m or up to 1000kg @ 4m per leaf



We would always advise you to spec your jobs with safety edges. When you see this symbol it is imperative that at least one is used.

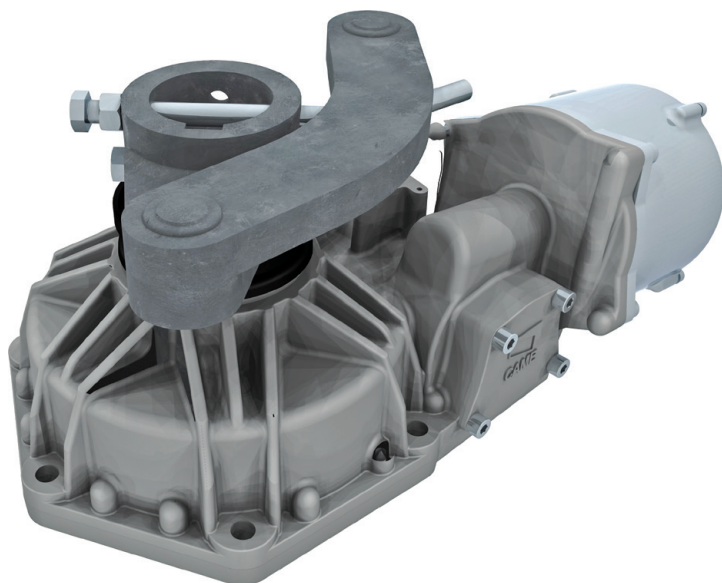


Code	Description	Quantity
001 FROG-PM6 	Irreversible gearmotor with encoder for swing gates measuring up to 7 m per leaf, with built in adjustable opening and closing stops.	2
001 FROG-PC	Foundation box in steel with cathaphoresis treatment, complete with unlocking lever, fixing bracket to the gate and screw for adjusting the limit switch point in opening	2
002 ZM3EP  	Multifunction control panel for swing gates with two leaves, programming and alerts display, plus testing of safety circuits for CAT 2 safety products and on-board radio programming.	1
001 A4364	Release device with lever key.	2
001 AF43S	Plug-in radio-frequency control card	1
806TS-0122	TOPD4RKS - Double frequency 4-button rolling code transmitter, black colour. 4,294,967,896 combinations.	2
001 TOP-A433N	Tuned Antenna.	1
001 DIR20 	Pair of surface-mounted 12 – 24 V AC – DC photocells. Range: 20 m.	1



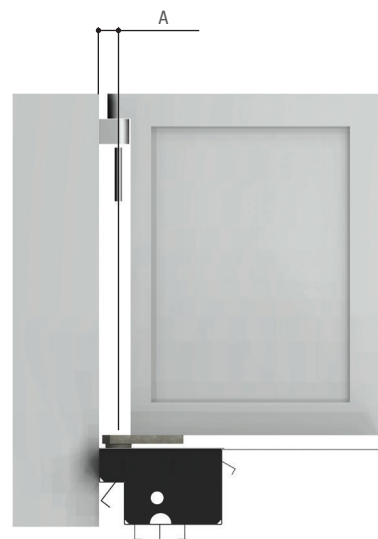
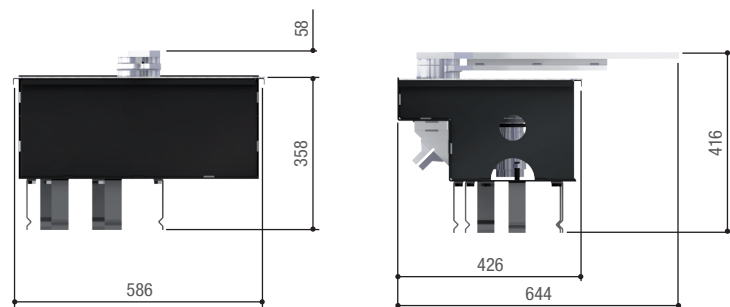
FROG-PM6

Gate leaves of up to 7 m



Ideal for fitting onto gates at apartment blocks or industrial facilities

- The invisible solution for swing-gate operators.
- High degree of protection against weathering (IP67).
- Built-in opening and closing leaf stops for quick-and-easy adjusting of the leaf-stopping point.
- Encoder technology for total movement control.



Operational limits

MODEL	FROG-PM6			
Max. width of leaf (m)	7*	6	5*	4*
Max. weight of leaf (kg)	550	650	800	1000

NOTES: * It is obligatory to fit an electric lock on the gate leaf.

Technical characteristics

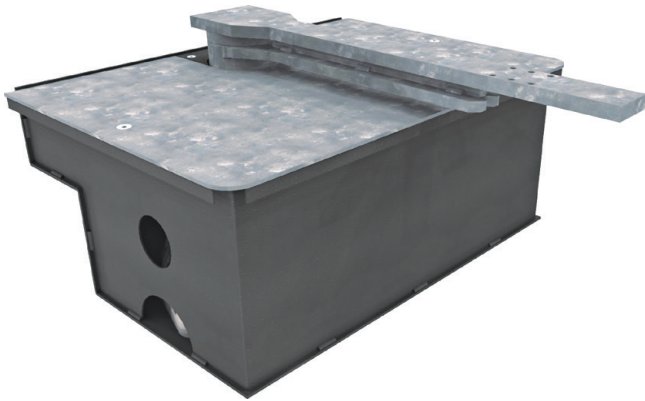
MODELS	FROG-PM4	FROG-PM6
Protection rating (IP)	67	67
Power supply (V - 50/60 Hz)	230 AC	230 AC
Power supply to motor (V)	230 AC	230 AC
Absorption (A)	5,1	2,6
Power (W)	1200	600
Maneuvering time at 90° (s)	30	45
Duty/cycle (%)	50	50
Torque (Nm)	800	800
Operating temperature (°C)	-20 ÷ +55	-20 ÷ +55
Motor's heat protection (°C)	150	150

FROG-PC

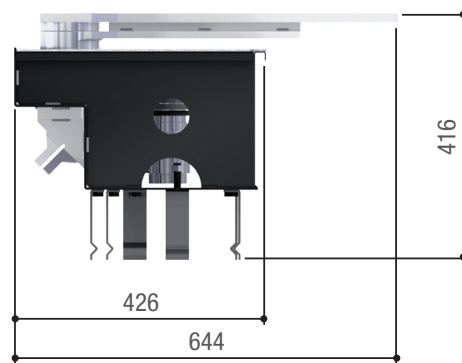
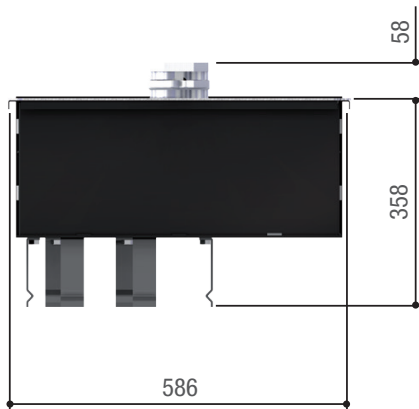
Foundation box

Foundation box in steel with cathaphoresis treatment

- Complete with unlocking lever, fixing bracket to the gate and screw for adjusting the limit switch point in opening

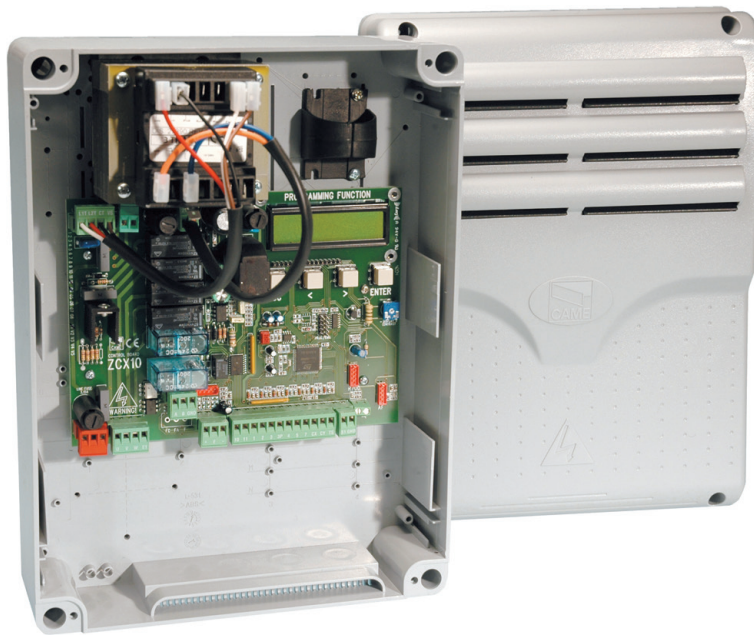


Dimensions (mm)



ZM3EP

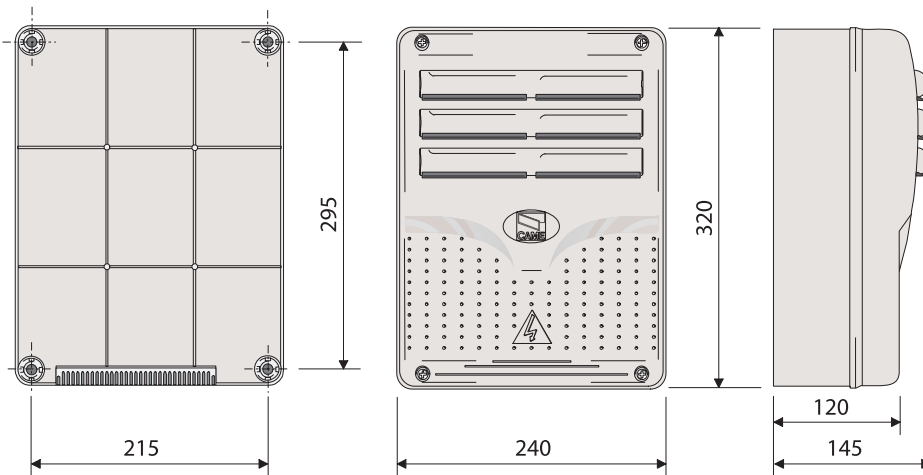
Control panel



Control panel for 230V gearmotors

- Multifunction control panel for swing gates with two leaves. Graphic programming display and signalling and self-diagnostics
- using safety devices.

Dimensions (mm)



Technical characteristics

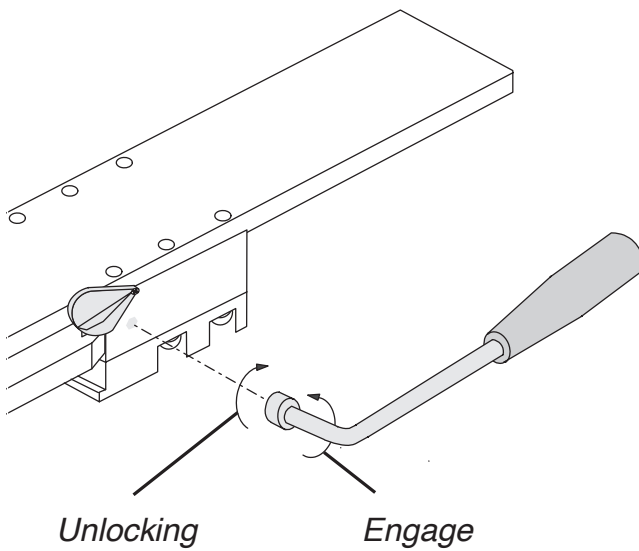
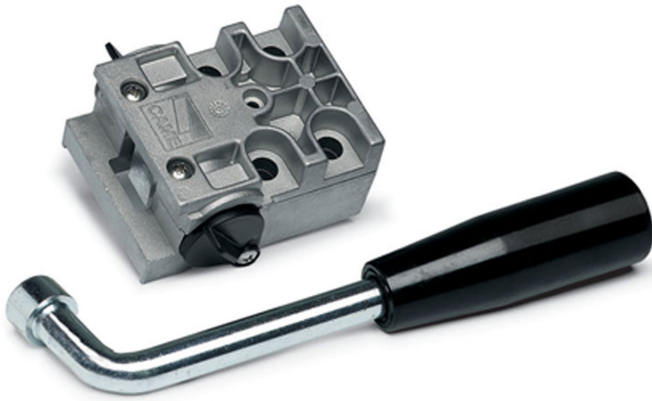
MODEL	ZM3EP
Power supply (V - 50/60 Hz)	230 AC
Motor power supply (V)	230 AC
Standby consumption (W)	4,7
Standby consumption with the RGP1 (W) module	0,75
Power (W)	2400
Colour	RAL 7040
Operating temperature (°C)	-20 ÷ +55
Protection rating (IP)	54
Insulation class	II

A4364

Mechanical release key

Mechanical release device with lever key for Frog motor.

- Unlocking mechanism
- Release device lever key
- 4 M8 x 35 cheese headed hexagonal socket screws
- 4 safety lock washer



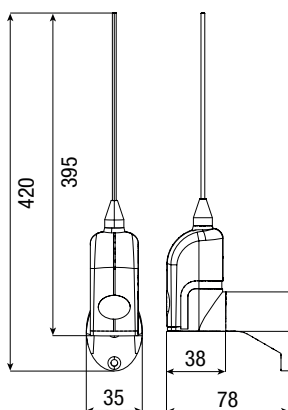
ACCESSORIES

TOPA433N

Tuned Antenna for 433.92Mhz



Dimensions (mm)



Operational limits

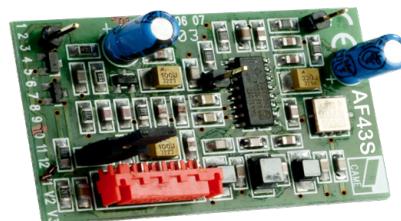
MODELS	TA433N
Max. range of radio (m)	50 ÷ 150

Technical characteristics

MODELS	TA433N
Radio signal frequency (Mhz)	433.92Mhz

AF43S

Radio frequency control card 433.92MHz



- Dip-switches for code and function selection
- Function enabling button
- Red signalling LED
- Green signalling LED
- Backup board
- Plug-in connector on receivers

Technical characteristics

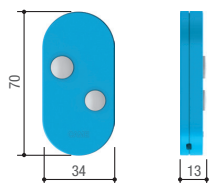
MODELS	AF43S
Power supply (V±10%)	5
Current draw (mA)	5.5
Encoding type	ASK
Operating temperature (°C)	-20 to +55
Sensitivity (dBm)	-107

TOPD4RKS

Rolling code 433.92 and 868.35 Mhz radio control



Dimensions (mm)



- Manages several operators on different frequencies.
- One device to manage two frequencies, that is, 433.92 MHz and 868.35 MHz.
- More secure thanks to the dynamic code.
- Uses only one CR2032 battery.
- Flat battery alert
- No setting required when selecting the frequency
- Comes in two-channel and four-channel versions.
- Available in six different colours.
- Surface-mounted receiver modules 806RV-0010 and 806RV-0020 - CAME KEY compatible.

Operational limits

MODELS	806TS-0122
Max. range of radio (m)	50 ÷ 150

Technical characteristics

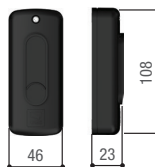
MODELS	806TS-0122
Combinations	4.294.967.896
Radio signal frequency (Mhz)	433,92 - 868,35
Operating temperature (°C)	-20 ÷ +55
Material	POLYCARBONATE

DIR20

Photocells



Dimensions (mm)



- Control the gate's area of movement
- Infrared beam, even synchronised, to prevent any external signal disturbances.
- For the DIR series photocells, there is a double-height post, and a new PVC version of the post, for installing in entry and exit points where heavy vehicles drive through.
- High degree of protection against weathering.

Operational limits

MODELS	DIR20
Max. range of radio (m)	20

Technical characteristics

MODELS	DIR20
Protection rating (IP)	54
Power supply (V)	12 - 24 AC - DC
Absorption	60
Max. rating of 24 V (A) relay contacts	0,5
Operating temperature (°C)	-20 ÷ +55
Material	ABS - POLYCARBONATE