





230V SWING GATE KIT FOR A SINGLE GATE

Up to 550kg @ 7m or up to 1000kg @ 4m



We would always advise you to spec your jobs with safety edges. When you see this symbol it is imperative that at least one is used.

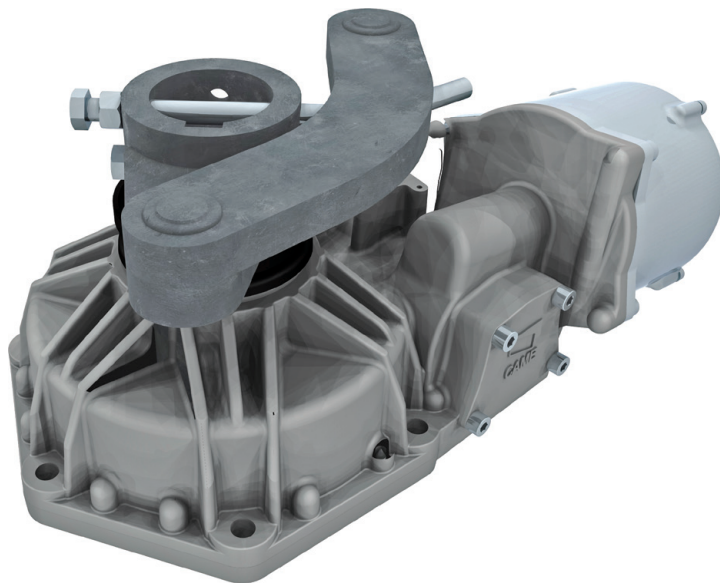


Code	Description	Quantity
001 FROG-PM6 	Irreversible gearmotor with encoder for swing gates measuring up to 7 m per leaf, with built in adjustable opening and closing stops.	1
001 FROG-PC	Foundation box in steel with cathaphoresis treatment, complete with unlocking lever, fixing bracket to the gate and screw for adjusting the limit switch point in opening	1
002 ZM3EP  	Multifunction control panel for swing gates with two leaves, programming and alerts display, plus testing of safety circuits for CAT 2 safety products and on-board radio programming.	1
001 A4364	Release device with lever key.	1
001 AF43S	Plug-in radio-frequency control card	1
806TS-0122	TOPD4RKS - Double frequency 4-button rolling code transmitter, black colour. 4,294,967,896 combinations.	2
001 TOP-A433N	Tuned Antenna.	1
001 DIR10 	Pair of 12 - 24 V AC - DC outdoor photocells – range 10 m.	1



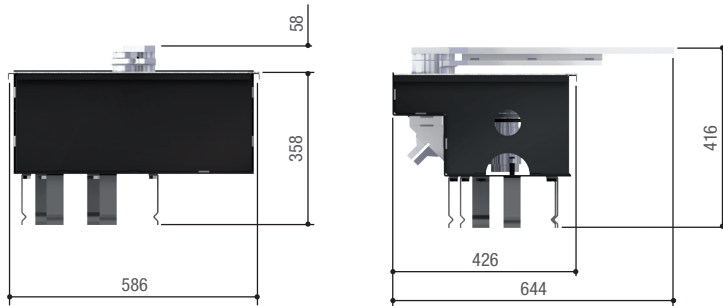
FROG-PM6

Gate leaves of up to 7 m



Ideal for fitting onto gates at apartment blocks or industrial facilities

- The invisible solution for swing-gate operators.
- High degree of protection against weathering (IP67).
- Built-in opening and closing leaf stops for quick-and-easy adjusting of the leaf-stopping point.
- Encoder technology for total movement control.



Operational limits

MODEL	FROG-PM6			
Max. width of leaf (m)	7*	6	5*	4*
Max. weight of leaf (kg)	550	650	800	1000

NOTES: * It is obligatory to fit an electric lock on the gate leaf.

Technical characteristics

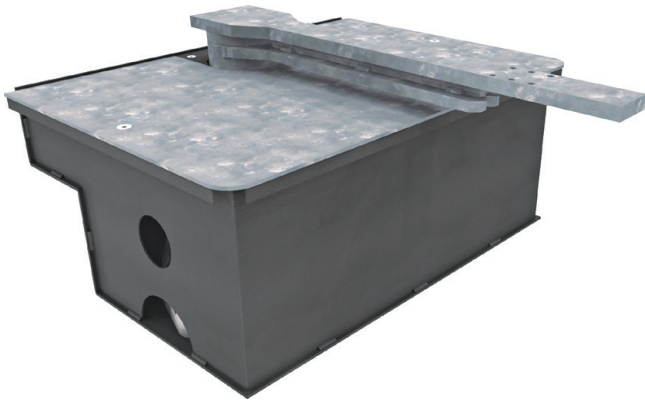
MODELS	FROG-PM4	FROG-PM6
Protection rating (IP)	67	67
Power supply (V - 50/60 Hz)	230 AC	230 AC
Power supply to motor (V)	230 AC	230 AC
Absorption (A)	5,1	2,6
Power (W)	1200	600
Maneuvering time at 90° (s)	30	45
Duty/cycle (%)	50	50
Torque (Nm)	800	800
Operating temperature (°C)	-20 ÷ +55	-20 ÷ +55
Motor's heat protection (°C)	150	150

FROG-PC

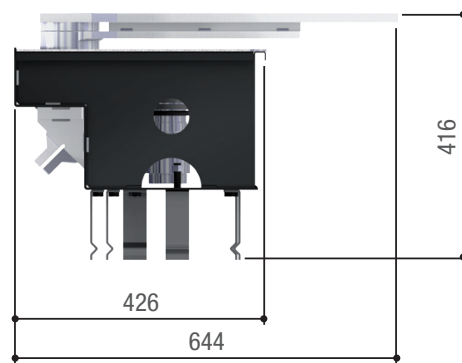
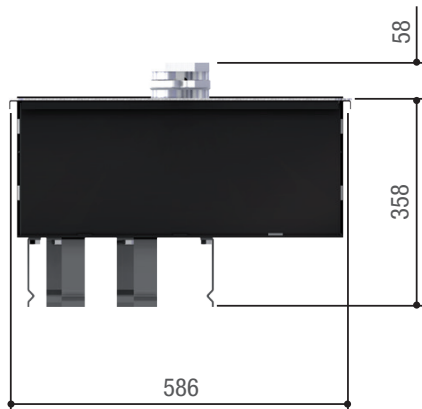
Foundation box

Foundation box in steel with cathaphoresis treatment

- Complete with unlocking lever, fixing bracket to the gate and screw for adjusting the limit switch point in opening

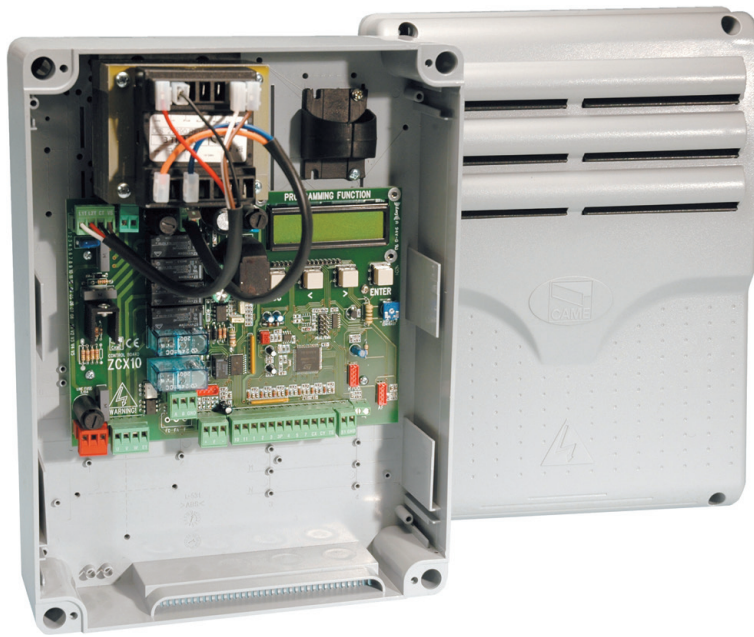


Dimensions (mm)



ZM3EP

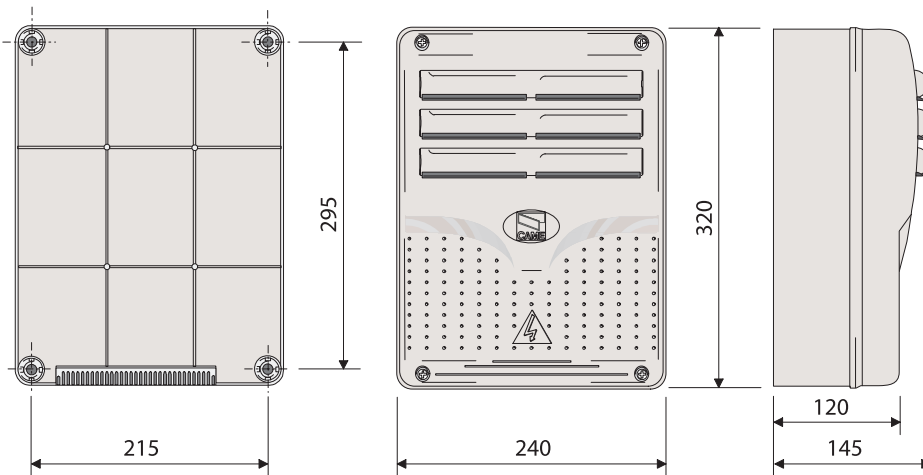
Control panel



Control panel for 230V gearmotors

- Multifunction control panel for swing gates with two leaves. Graphic programming display and signalling and self-diagnostics
- using safety devices.

Dimensions (mm)



Technical characteristics

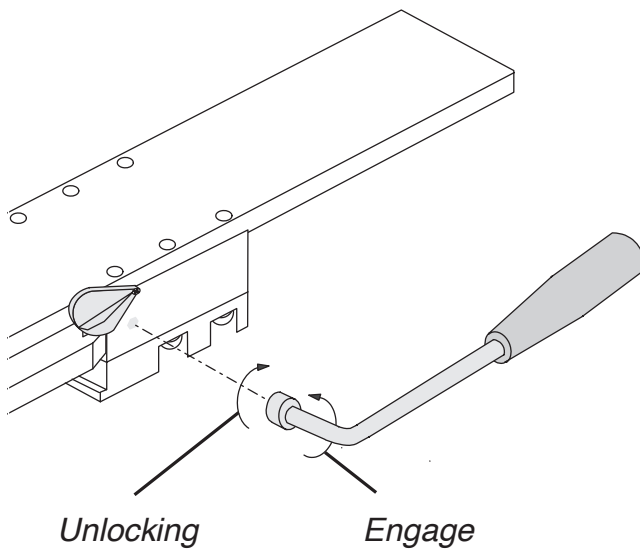
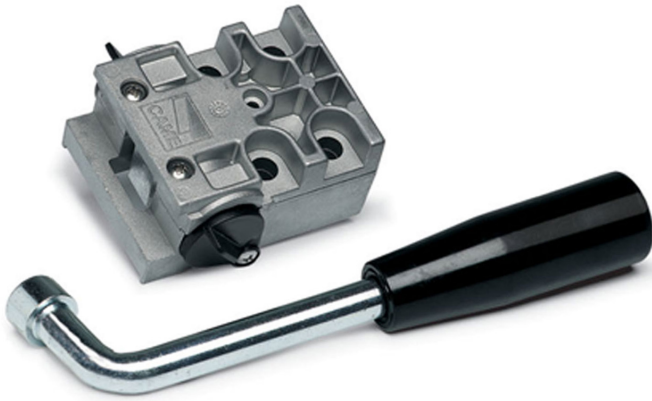
MODEL	ZM3EP
Power supply (V - 50/60 Hz)	230 AC
Motor power supply (V)	230 AC
Standby consumption (W)	4,7
Standby consumption with the RGP1 (W) module	0,75
Power (W)	2400
Colour	RAL 7040
Operating temperature (°C)	-20 ÷ +55
Protection rating (IP)	54
Insulation class	II

A4364

Mechanical release key

Mechanical release device with lever key for Frog motor.

- Unlocking mechanism
- Release device lever key
- 4 M8 x 35 cheese headed hexagonal socket screws
- 4 safety lock washer



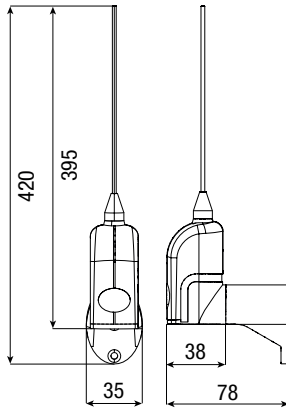
ACCESSORIES

TOPA433N

Tuned Antenna for 433.92Mhz



Dimensions (mm)



Operational limits

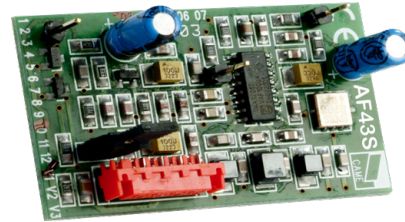
MODELS	TA433N
Max. range of radio (m)	50 ÷ 150

Technical characteristics

MODELS	TA433N
Radio signal frequency (Mhz)	433.92Mhz

AF43S

Radio frequency control card 433.92MHz



- Dip-switches for code and function selection
- Function enabling button
- Red signalling LED
- Green signalling LED
- Backup board
- Plug-in connector on receivers

Technical characteristics

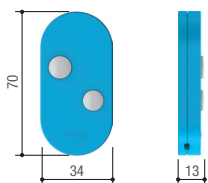
MODELS	AF43S
Power supply (V±10%)	5
Current draw (mA)	5.5
Encoding type	ASK
Operating temperature (°C)	-20 to +55
Sensitivity (dBm)	-107

TOPD4RKS

Rolling code 433.92 and 868.35 Mhz radio control



Dimensions (mm)



- Manages several operators on different frequencies.
- One device to manage two frequencies, that is, 433.92 MHz and 868.35 MHz.
- More secure thanks to the dynamic code.
- Uses only one CR2032 battery.
- Flat battery alert
- No setting required when selecting the frequency
- Comes in two-channel and four-channel versions.
- Available in six different colours.
- Surface-mounted receiver modules 806RV-0010 and 806RV-0020 - GAME KEY compatible.

Operational limits

MODELS	806TS-0122
Max. range of radio (m)	50 ÷ 150

Technical characteristics

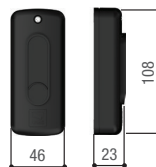
MODELS	806TS-0122
Combinations	4.294.967.896
Radio signal frequency (Mhz)	433,92 - 868,35
Operating temperature (°C)	-20 ÷ +55
Material	POLYCARBONATE

DIR10

Photocells



Dimensions (mm)



- Control the gate's area of movement
- Infrared beam, even synchronised, to prevent any external signal disturbances.
- For the DIR series photocells, there is a double-height post, and a new PVC version of the post, for installing in entry and exit points where heavy vehicles drive through.
- High degree of protection against weathering.

Operational limits

MODELS	DIR10
Max. range of radio (m)	10

Technical characteristics

MODELS	DIR10
Protection rating (IP)	54
Power supply (V)	12 - 24 AC - DC
Absorption	60
Max. rating of 24 V (A) relay contacts	0,5
Operating temperature (°C)	-20 ÷ +55
Material	ABS - POLYCARBONATE