

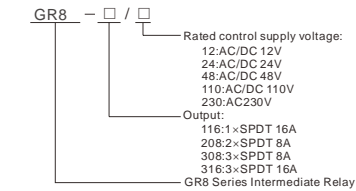
Intermediate relay



General

- Applications
 - intermediate relay used for switching larger load output, strengthen or multiplying contacts of the existing device.
- Function Features
 - Voltage range: AC/DC 12V, 24V, 48V, 110V, AC230V.
 - relays GR8-316 enable connection to a 3-phase circuit.
 - Relay status is indicated by LED.
 - 1-MODULE, DIN rail mounting.

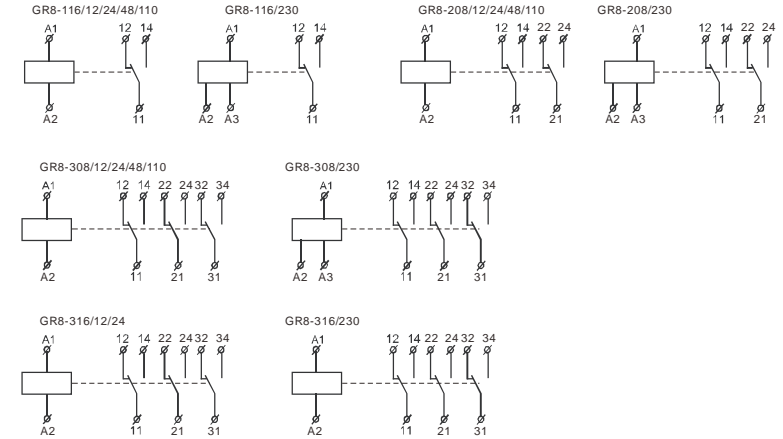
Model and connotation



Technical parameters

Technical parameters	GR8-116	GR8-208	GR8-308	GR8-316
Supply terminals		A1-A2		A1-A2
Voltage range		AC/DC 12V, 24V, 48V, 110V		AC/DC 12V, 24V
Burden		AC.max 12VA/DC.max1.9W		
Supply terminals		A1-A2-A3		A1-A2
Voltage range		AC230V(A1-A2),AC/DC24V(A1-A3)		AC230V
Burden		AC.max 12VA/DC.max1.9W		AC.max 6VA
Supply voltage tolerance		-15%;+10%		
Max.chargeover time		40ms		
Output				
Number of contact	1× SPDT	2× SPDT	3× SPDT	3× SPDT
Current rating	16A/AC1		8A/AC1	16A/AC1
Switching voltage		250VAC/24VDC		
Min. breaking capacity DC		500mW		
Output indication		Red LED		
Mechanical life		1× 10 ⁷		
Electrical life(AC1)		1× 10 ⁵		
Reset time		max.200ms		
Operating temperature		-20°C to +55°C (-4°F to 131°F)		
Storage temperature		-35°C to +75°C (-22°F to 158°F)		
Mounting/DIN rail		Din rail EN/IEC 60715		
Protection degree		IP40 for front panel/IP20 terminals		
Operating position		any		
Overvoltage category		III.		
Pollution degree		2		
Max.cable size(mm ²)		solid wire max.1×2.5or2×1.5/with sleeve max.1×2.5(AWG 12)		
Dimensions		90×18×64mm		
Weight	44g/54g	50g/60g	72g/82g	86g/96g

Wiring Diagram



Dimensions(mm)

