



S2500I

INTEGRATED 24V ACTUATOR
FOR SWING GATES

FAAC
Simply automatic.

S2500I: innovative, exclusive design, high performance

For more than 50 years, FAAC has been synonymous with gate automation systems.

Our driving force is continuous research and attention to the needs of the market.

This is how we developed the S2500I, our first actuator integrated in a swing gate with a maximum leaf length of 2.5 m and weight of 250 Kg. It can be adapted to any architectural setting, ideal for homes and condominiums that are attentive to design and quality.

THE STRENGTHS OF THE S2500I

Modern design

The S2500I adapts perfectly to any architectural setting. The aluminium cover is available in two versions:

- RAL 7021 painted
- neutral, to be painted according to customer requirements

A single, simple to install model

Designed to meet numerous application requirements, can be integrated in metal columns with the following dimensions: 10x10 cm, 12x12 cm and 15x15 cm.

The automation can be installed on new or existing gates. It can also be installed at a later stage, by initially preparing just the hinge and cover

Exclusive flashing light

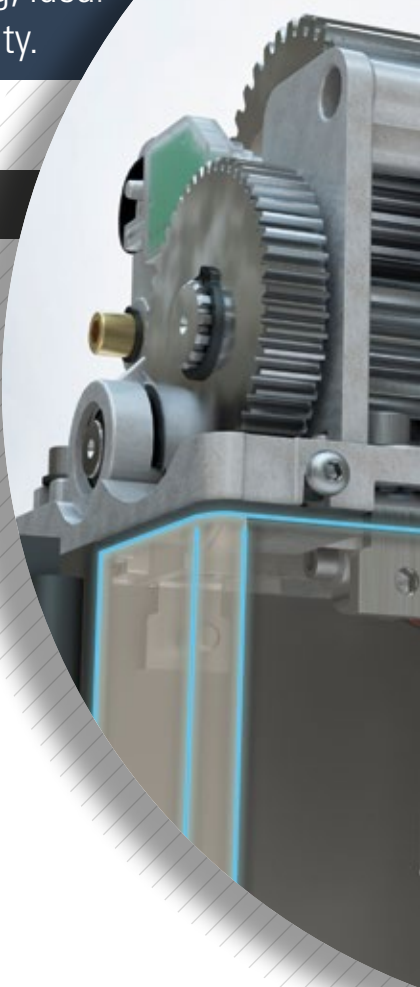
Integrated in the structure, making the gate aesthetically pleasing.

The flashing light is protected from impact and easily visible from both inside and outside

High opening and closing speeds (adjustable)

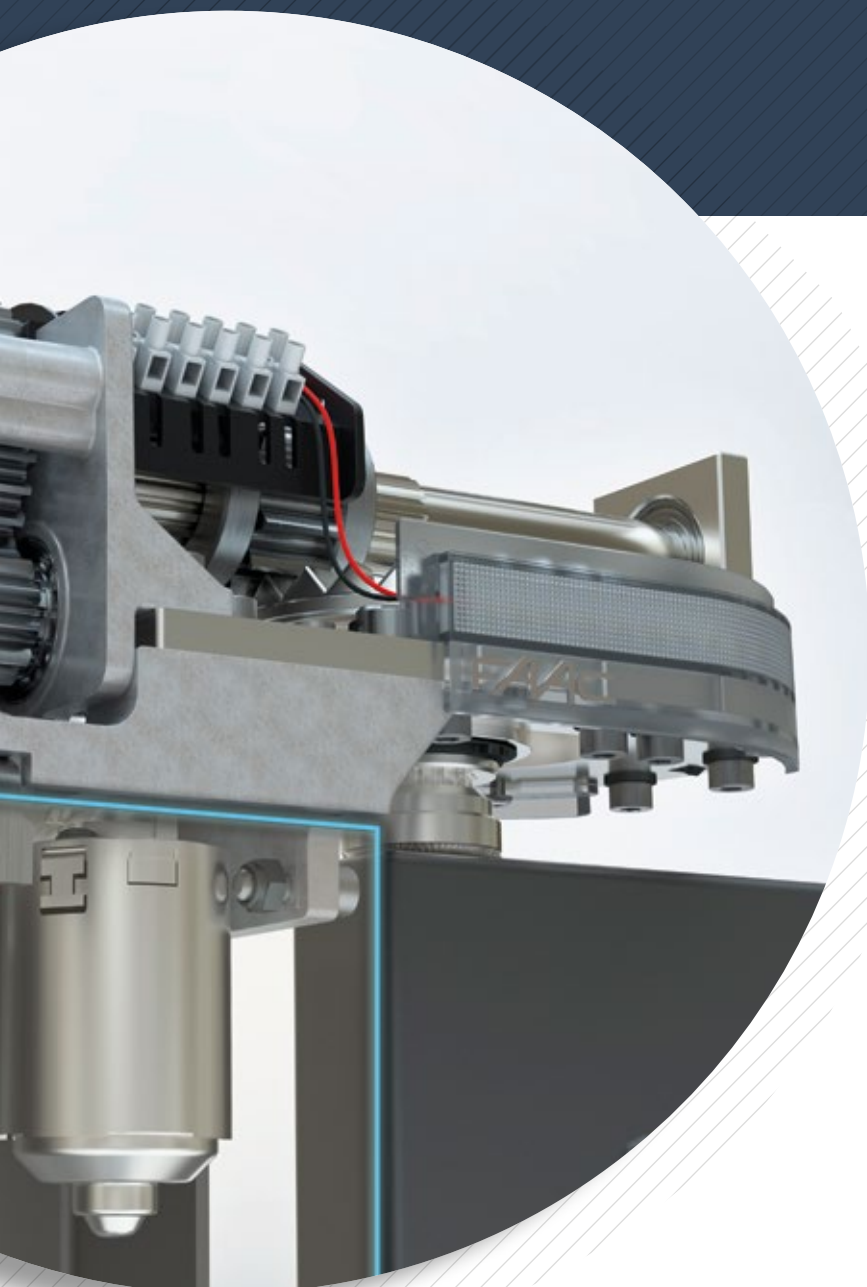
Low waiting times.

The gate can open in just 10 seconds!



Integrated 24V electromechanical actuator for swing gates

**FAAC
PATENT**



Built-in mechanical stops (optional)

The integrated adjustable stops allow both the opening and closing stop positions to be set, avoiding the need to install mechanical stops on the ground

Remote manual release

Easily accessible from both inside and outside the property. Protected by a coded key and can be controlled remotely using the key selector with lever release

Maximum anti-crushing safety

The integrated 24V electromechanical actuator is fitted with an absolute encoder that enables full control of the movement and reverse in the event of an obstacle

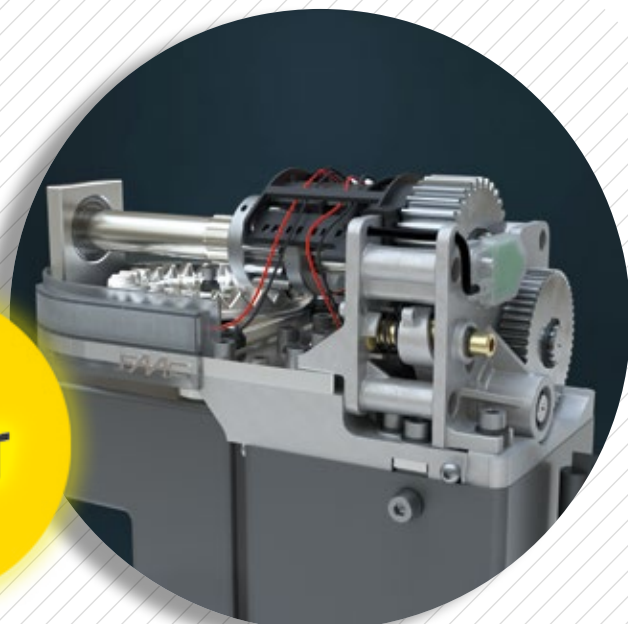


Compatible with FAAC electronic board E124

Advantages: numerous programmable parameters, omnidec system, Bus 2easy. Intuitive programming with buttons and display



The beauty of not being seen!



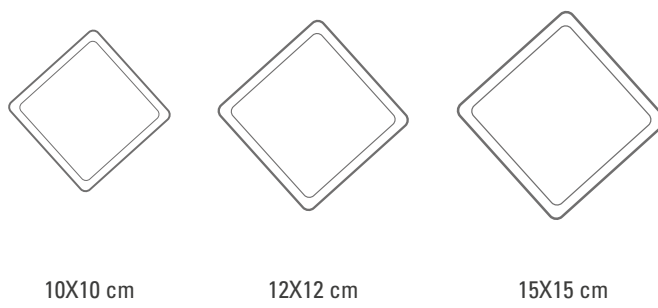
DIMENSIONS AND TECHNICAL SPECIFICATIONS

Model	S2500I
Power supply	220-240V ~ 50/60 Hz
Electric motor	24 V ---
Power	40 W
Max torque	320 Nm
Square section pillar dimensions	10X10 cm, 12X12 cm, 15X15 cm*
Max leaf width	2 m 2.5 m with electric lock
Max leaf weight	Up to 250 kg**
Max angular speed	10°/s
Max leaf opening angle	165 °
Operating temperature	-20 °C to +55 °C
Type of use	Residential buildings/Apartment complexes
Number of continuous cycles per hour	100% continuous use
Protection rating	IPX4

**LEAF WEIGHT/LENGTH RATIO

LEAF LENGTH [m]	LEAF WEIGHT [kg]
2.5	150
2.25	165
2	185
1.75	210
1.5	250
< 1.25	250

*THE S2500I CAN BE INSTALLED ON SQUARE SECTION METAL COLUMNS



S2500I is compatible with Simply Connect



Simply Connect is the FAAC App that can interact remotely with the automations, at any time and from anywhere. The App can also be used by your customers who will be amazed at just how simple and easy it is to manage their automation system.

Simply Connect means:

- easy maintenance and management of automation systems
- remote programming and monitoring and high performances services for your customers



**DISCOVER THE
ADVANTAGES
OF SIMPLY CONNECT!**

HEADQUARTERS

ITALY

FAAC S.p.A. - Soc. Unipersonale
Via Calari 10 - 40069 Zola Predosa (BO)
Tel. +39 051 61724 - Fax +39 051 0957820
it.info@faacgroup.com - www.faacgroup.com

SUBSIDIARIES

ASIA - PACIFIC

FAAC MALAYSIA
MAGNETIC CONTROL SYSTEMS SDN BHD
Selangor, Malaysia
tel. +60 3 5123 0033
www.faac.biz

AUSTRALIA

FAAC AUSTRALIA PTY LTD
Regents Park, Sidney, NSW
www.faac.com.au

AUSTRIA

FAAC GMBH
Salzburg, Austria
tel. +43 662 85333950
www.faac.at

BENELUX

FAAC BENELUX NV/SA
Jabbeke, Belgium
tel. +32 50 320202
info@faacbenelux.com
www.faacbenelux.com

FAAC BV

Doetinchem, The Netherlands
tel. +31 314 369911
faacbv.info@faacgroup.com
www.faacbv.com

BRAZIL

INDÚSTRIAS ROSSI ELETROMECAÂNICA LTDA
Brasília DF, Brazil
tel. +55 61 33998787
www.rossiportoes.com.br

CHINA

FAAC SHANGHAI
Shanghai, China
tel. +86 21 68182970
www.faacgroup.cn

FRANCE

FAAC FRANCE
Saint Priest - Lyon, France
tel. +33 4 72213020
www.faac.fr

FAAC FRANCE - AGENCE PARIS
Massy - Paris, France
tel. +33 4 72213020
www.faac.fr

FAAC FRANCE - DEPARTEMENT VOILETS
Saint Denis de Pile - Bordeaux, France
tel. +33 5 57551890
www.faac.fr

GERMANY

FAAC GMBH
Freilassing, Germany
tel. +49 8654 49810
www.faac.de

INDIA

MAGNETIC FAAC INDIA PVT LTD.
Chennai - India
Tel. +91 44 421 23297
info@magnetic-india.com
www.faacindia.com

IRELAND

NATIONAL AUTOMATION LTD
Co. Roscommon, Ireland
tel. +353 71 9663893
www.nal.ie

MIDDLE EAST

FAAC MIDDLE EAST FZE
Dubai, UAE
tel. + 971 4 3724190
www.faac.ae

POLAND

FAAC POLSKA SP.ZO.O
Warszawa, Poland
tel. +48 22 8141422
fax +48 22 8142024
www.faac.pl

RUSSIA

FAAC RUSSIA
Moscow, Russia
tel. +7 (495) 646 87 40
www.faac.ru

SCANDINAVIA

FAAC NORDIC AB
Perstorp, Sweden
tel. +46 435 779500
www.faac.se

SOUTH AFRICA

CENTURION SYSTEMS PTY LTD
Johannesburg, South Africa
tel. +27 11 699 2400
www.centsys.co.za

SPAIN

CLEM, S.A.U.
San Sebastián de los Reyes - Madrid, Spain
tel. +34 91 3581110
www.faac.es

SWITZERLAND

FAAC AG
Altdorf, Switzerland
tel. +41 41 8713440
www.faac.ch

UNITED KINGDOM

FAAC UK LTD.
Basingstoke Hampshire, UK
tel. +44 1256 318100
www.faac.co.uk

U.S.A.

FAAC INTERNATIONAL INC
Rockledge, Florida - U.S.A.
tel. +1 866 925 3222
www.faacusa.com

FAAC INTERNATIONAL INC
Fullerton, California - U.S.A.
tel. +1 714 446 9800
www.faacusa.com