

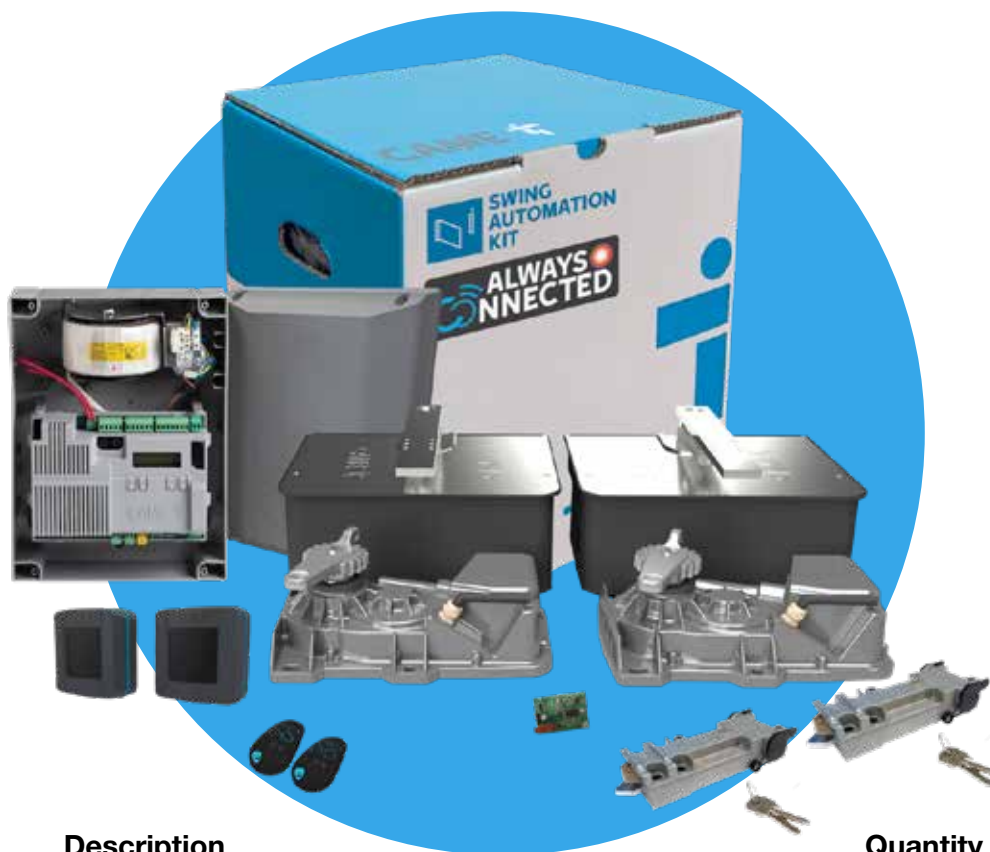
FROG-X 8K01MI-0629




CAME 



24V SWING GATE KIT FOR A PAIR OF GATES

Up to 400kg @ 3.5m or up to 800kg @ 2m per leaf



Code	Description	Quantity
801MI-0020 	FROG-X Irreversible 24 V brushless below-ground operator with native encoder, Adaptive Speed & Torque Technology, motion management, obstacle detection and adjustable closing leaf stop for swing gates with leaves up to 4m and 400kg weight.	2
001 FROG-BN	Foundation box in steel with cataphoresis treatment, complete with unlocking lever, fixing bracket to the gate and screw for adjusting the limit switch point in opening	2
801QA-0090 	ZLB24SA - Multifunction control panel, with 230 V AC power supply, for 24 V FROG-X brushless operator, with graphic display for programming and signaling, self-diagnosis of safety devices, Adaptive Speed & Torque Technology, CXN BUS, 4 safety inputs and storage for up to 1000 users. The control panel is specifically designed for FROG-X, and cannot be used on other swing motors.	1
001 A4366	Release device with custom made key.	2
001 AF43S	Plug-in radio-frequency control card	1
806TS-0270	TOP44RBN - Four-channel 433.92 MHz rolling code transmitter. 4,294,967,896 combinations.	2
001 TOP-A433N	Tuned Antenna.	1
806TF-0100 	Pair of surface mounted synchronised infra-red beam BUS photocells.	1



801MI-0020

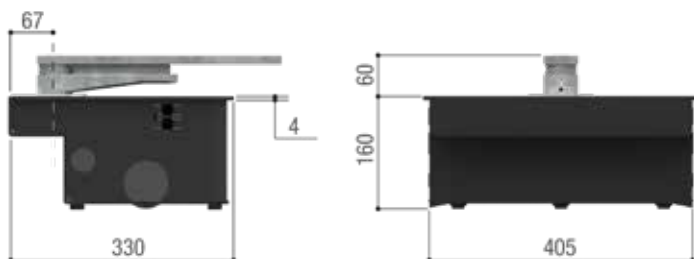
Gate leaves of up to 4m



Concealed Brushless solution for residential or apartment block applications

- Invisible and fast Brushless solution for gate automation.
- Board equipped with CXN BUS connectors.
- Protection rating against weathering agents IP67.
- Foundation box in steel with anticorrosive treatment, or in AISI 304 stainless steel.
- System automatically resets after the gate is manually released.
- Integrated, adjustable mechanical limit switches.
- Opening up to 180° (with 801XA-0040 accessory).
- Set up for operation in case of power outage in the versions.
- Developed with CONNECT technology for remote digital control via gateway or locally via GAME KEY.

Dimensions (mm)



Operational limits

MODELS	801MI-0020				
Max. length of leaf (m)	4	3,5	3	2,5	2
Max. weight of leaf (kg)	400	500	600	700	800

NOTES: * Fitting an electro-lock onto the leaf is advisable.

Technical characteristics

MODELS	801MI-0020
Protection rating (IP)	67
Power supply (V - 50/60 Hz)	24 DC
Power supply to motor (V)	24 DC
Absorption (A)	15
Power (W)	125
Manoeuvring time at 90° (s)	10-18
Cycles/Hour	CONTINUOUS SERVICE
Operating temperature (°C)	-20 ÷ +55

FROG-BN

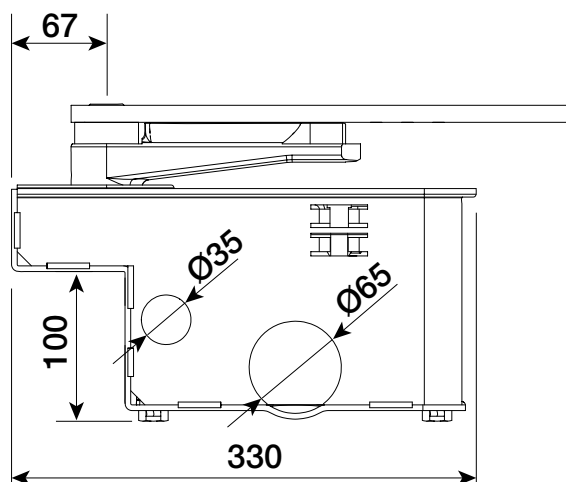
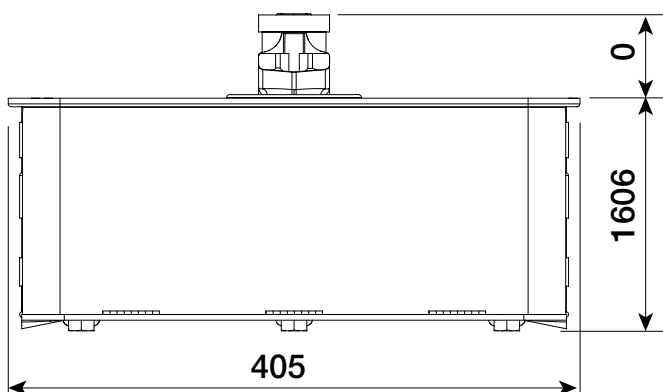
Foundation box



Frog foundation casing with anti corrosion treatment

- Complete with unlocking lever, fixing bracket to the gate and screw for adjusting the limit switch point in opening

Dimensions (mm)



ZLB24SA

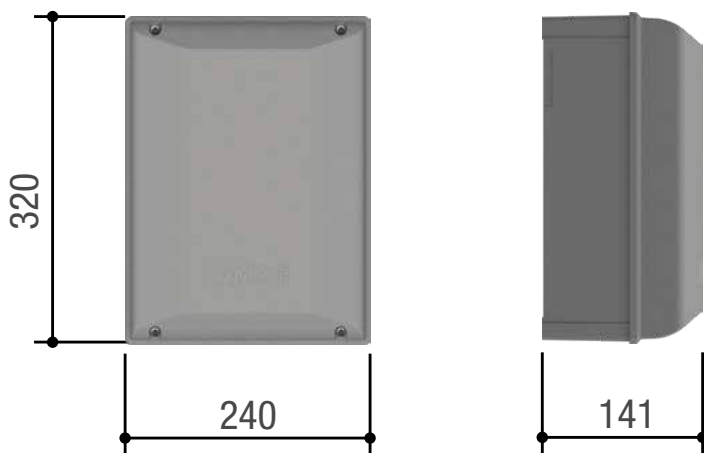
Control panel



Control panel for FROG-X

- Multifunction control panel, with 230 V AC power supply, for 24 V FROG-X brushless operator, with graphic display for programming and signaling, self-diagnosis of safety devices, Adaptive Speed & Torque Technology, CXN BUS, 4 safety inputs and storage for up to 1000 users.
- The control panel is specifically designed for FROG-X, and cannot be used on other swing motors.

Dimensions (mm)



FUNCTIONS

MODEL	801QA-0090
Settable safety inputs	4
CNX BUS inputs	YES
Output B1 - B2	YES
RIO System 2.0	YES
CAME KEY and Gateway slot	YES
Adaptive Speed and Torque Technology	YES
Virtual Encoder management	YES
Users number	1000
Clock module	YES
PCB plastic cover	YES

TECHNICAL FEATURES

MODEL	801QA-0090
Protection rating (IP)	54
Power supply (V - 50/60 Hz)	230 AC
Operating temperature (°C)	-20 ÷ +55
RAL color	7024
Cabinet material	ABS

● 24 V DC

A4366

Mechanical release device

Mechanical release device with custom made key for Frog motor.



- Unlocking mechanism;
- Custom-made unlocking key;
- 4 M8 x 30 cheese headed hexagonal socket screws.
- 4 safety lock washer.

Fig. 1

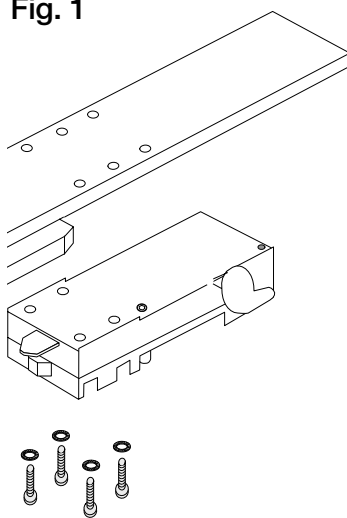


Fig. 2

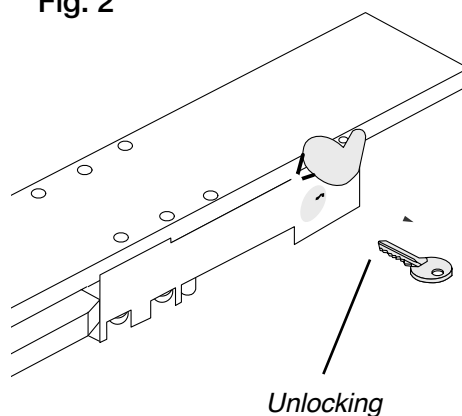
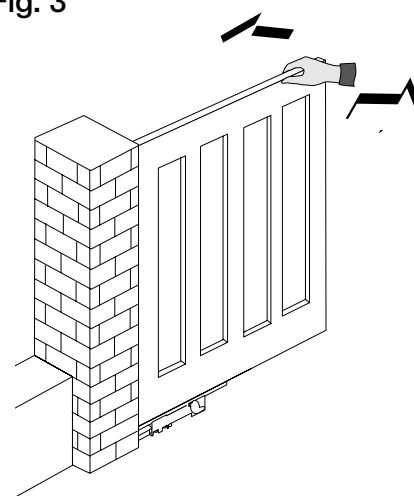


Fig. 3



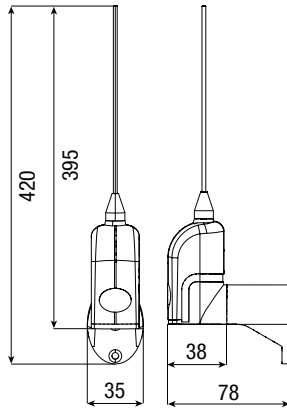
ACCESSORIES

TOPA433N

Tuned Antenna for 433.92Mhz



Dimensions (mm)



Operational limits

MODELS	TA433N
Max. range of radio (m)	50 ÷ 150

Technical characteristics

MODELS	TA433N
Radio signal frequency (Mhz)	433.92Mhz

AF43S

Radio frequency control card 433.92MHz



- Dip-switches for code and function selection
- Function enabling button
- Red signalling LED
- Green signalling LED
- Backup board
- Plug-in connector on receivers

Technical characteristics

MODELS	AF43S
Power supply (V±10%)	5
Current draw (mA)	5.5
Encoding type	ASK
Operating temperature (°C)	-20 to +55
Sensitivity (dBm)	-107

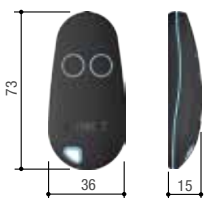
TOP44RBN

Rolling code 433.92 radio control



- Self-learning from transmitter to transmitter.
- Self-learning from TOP, TAM and TWIN series radio controls.
- More secure thanks to the dynamic code for the rolling code version.
- It can be configured remotely via gateway or locally via GAME KEY.

Dimensions (mm)



Operational limits

MODELS	806TS-0270
Max. range of radio (m)	50 ÷ 150

Technical characteristics

MODELS	806TS-0270
Combinations	4.294.967.896
Radio signal frequency (Mhz)	433,92
Operating temperature (°C)	-20 ÷ +55
Material	POLYCARBONATE

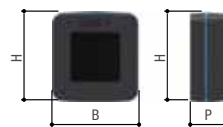
DLX BUS

Photocells



- Control the gate's area of movement
- It can synchronize up to eight pairs of photocells, with no disturbances, plus no wiring required between the transmitter and the receiver.
- Adjustment of the infrared beam range from 10 to 30 meters.
- Filter function to prevent false detections due to bad weather or direct sunlight.
- Settable contact output so the photocell can double as a control device.
- Alignment function between transmitter and receiver.

Dimensions (mm)



Operational limits

MODELS	806TF-0100
Max. range of radio (m)	30

Technical characteristics

MODELS	806TF-0100
Protection rating (IP)	54
Power supply (V)	CXN BUS
Absorption	-
Max. rating of 24 V (A) relay contacts	-
Operating temperature (°C)	-20 ÷ +55
Material	ABS – ALUMINIUM