

# FROG-X 8K01MI-0638




CAME 



## 24V SWING GATE KIT FOR A SINGLE GATE

Up to 400kg @ 3.5m or up to 800kg @ 2m



Code	Description	Quantity
<b>801MI-0020</b> 	FROG-X Irreversible 24 V brushless below-ground operator with native encoder, Adaptive Speed & Torque Technology, motion management, obstacle detection and adjustable closing leaf stop for swing gates with leaves up to 4m and 400kg weight.	1
001 <b>FROG-BN</b>	Foundation box in steel with cathaphoresis treatment, complete with unlocking lever, fixing bracket to the gate and screw for adjusting the limit switch point in opening	1
<b>801QA-0090</b> 	ZLB24SA - Multifunction control panel, with 230 V AC power supply, for 24 V FROG-X brushless operator, with graphic display for programming and signaling, self-diagnosis of safety devices, Adaptive Speed & Torque Technology, CXN BUS, 4 safety inputs and storage for up to 1000 users. The control panel is specifically designed for FROG-X, and cannot be used on other swing motors.	1
001 <b>A4364</b>	Release device with lever key.	1
001 <b>AF43S</b>	Plug-in radio-frequency control card	1
<b>806TS-0270</b>	TOP44RBN - Four-channel 433.92 MHz rolling code transmitter. 4,294,967,896 combinations.	2
001 <b>TOP-A433N</b>	Tuned Antenna.	1
<b>806TF-0110</b> 	DXR20SAP - Pair of surface mounted synchronised, rotating infrared CXN BUS photocells. Range 20m.	1



# 801MI-0020

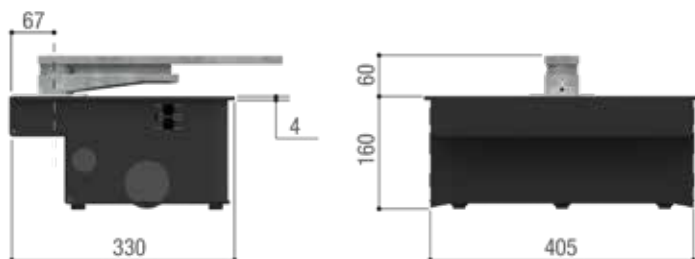
Gate leaves of up to 4m



## Concealed Brushless solution for residential or apartment block applications

- Invisible and fast Brushless solution for gate automation.
- Board equipped with CXN BUS connectors.
- Protection rating against weathering agents IP67.
- Foundation box in steel with anticorrosive treatment, or in AISI 304 stainless steel.
- System automatically resets after the gate is manually released.
- Integrated, adjustable mechanical limit switches.
- Opening up to 180° (with 801XA-0040 accessory).
- Set up for operation in case of power outage in the versions.
- Developed with CONNECT technology for remote digital control via gateway or locally via GAME KEY.

## Dimensions (mm)



## Operational limits

MODELS	801MI-0020				
Max. length of leaf (m)	4	3,5	3	2,5	2
Max. weight of leaf (kg)	400	500	600	700	800

NOTES: \* Fitting an electro-lock onto the leaf is advisable.

## Technical characteristics

MODELS	801MI-0020
Protection rating (IP)	67
Power supply (V - 50/60 Hz)	24 DC
Power supply to motor (V)	24 DC
Absorption (A)	15
Power (W)	125
Manoeuvring time at 90° (s)	10-18
Cycles/Hour	CONTINUOUS SERVICE
Operating temperature (°C)	-20 ÷ +55

# FROG-BN

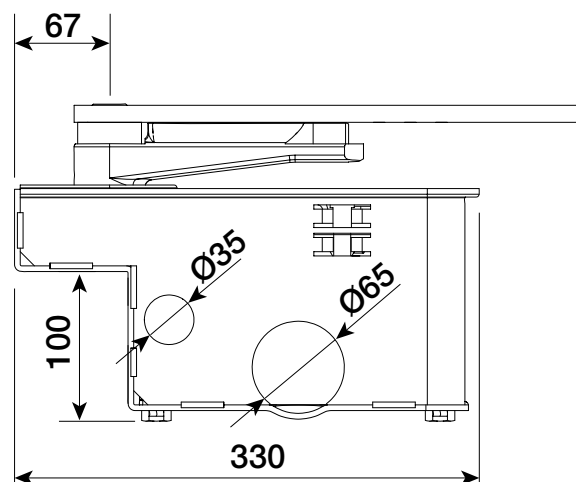
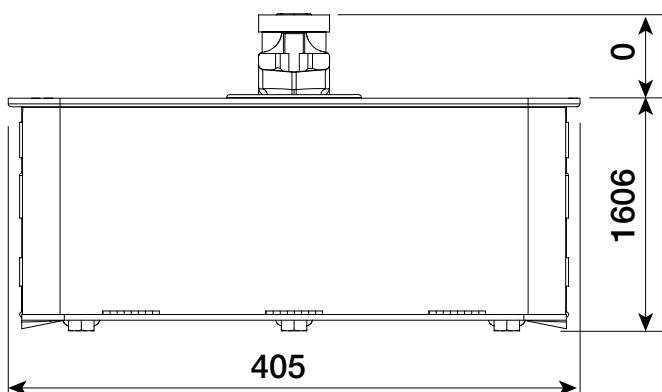
Foundation box



## Frog foundation casing with anti corrosion treatment

- Complete with unlocking lever, fixing bracket to the gate and screw for adjusting the limit switch point in opening

### Dimensions (mm)



# ZLB24SA

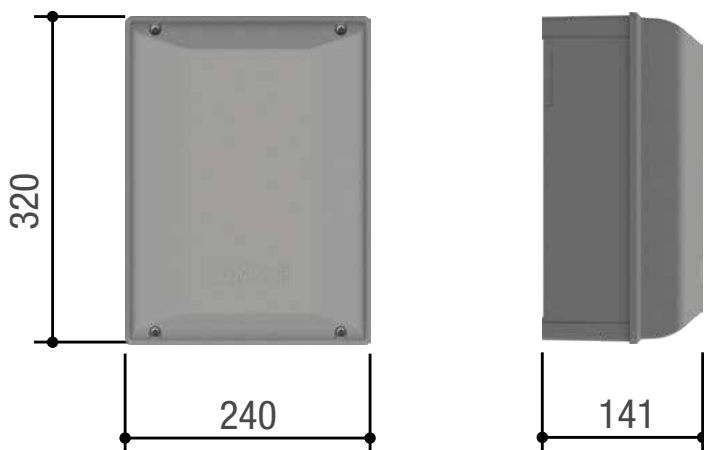
Control panel



## Control panel for FROG-X

- Multifunction control panel, with 230 V AC power supply, for 24 V FROG-X brushless operator, with graphic display for programming and signaling, self-diagnosis of safety devices, Adaptive Speed & Torque Technology, CXN BUS, 4 safety inputs and storage for up to 1000 users.
- The control panel is specifically designed for FROG-X, and cannot be used on other swing motors.

## Dimensions (mm)



## FUNCTIONS

MODEL	801QA-0090
Settable safety inputs	4
CNX BUS inputs	YES
Output B1 - B2	YES
RIO System 2.0	YES
CAME KEY and Gateway slot	YES
Adaptive Speed and Torque Technology	YES
Virtual Encoder management	YES
Users number	1000
Clock module	YES
PCB plastic cover	YES

## TECHNICAL FEATURES

MODEL	801QA-0090
Protection rating (IP)	54
Power supply (V - 50/60 Hz)	230 AC
Operating temperature (°C)	-20 ÷ +55
RAL color	7024
Cabinet material	ABS

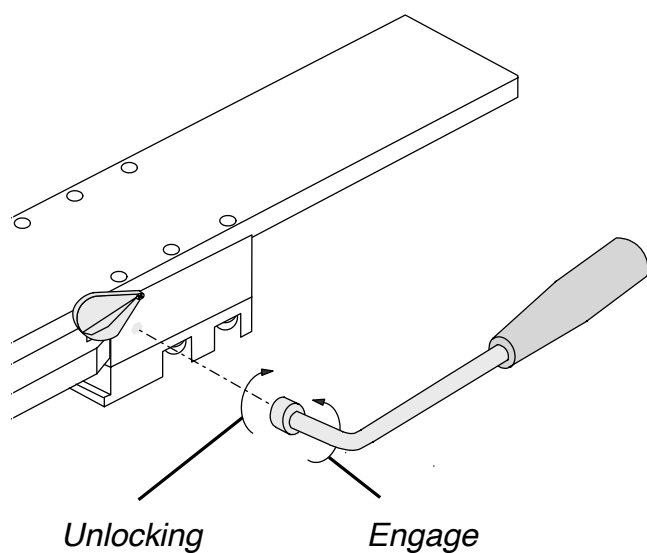
● 24 V DC

# A4364

Mechanical release key

## Mechanical release device with lever key for Frog motor.

- Unlocking mechanism
- Release device lever key
- 4 M8 x 35 cheese headed hexagonal socket screws
- 4 safety lock washer



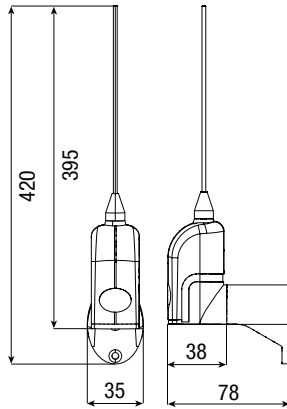
# ACCESSORIES

## TOPA433N

Tuned Antenna for 433.92Mhz



### Dimensions (mm)



### Operational limits

MODELS	TA433N
Max. range of radio (m)	50 ÷ 150

### Technical characteristics

MODELS	TA433N
Radio signal frequency (Mhz)	433.92Mhz

## AF43S

Radio frequency control card 433.92MHz



- Dip-switches for code and function selection
- Function enabling button
- Red signalling LED
- Green signalling LED
- Backup board
- Plug-in connector on receivers

### Technical characteristics

MODELS	AF43S
Power supply (V±10%)	5
Current draw (mA)	5.5
Encoding type	ASK
Operating temperature (°C)	-20 to +55
Sensitivity (dBm)	-107

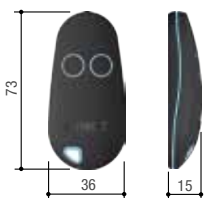
## TOP44RBN

Rolling code 433.92 radio control



- Self-learning from transmitter to transmitter.
- Self-learning from TOP, TAM and TWIN series radio controls.
- More secure thanks to the dynamic code for the rolling code version.
- It can be configured remotely via gateway or locally via GAME KEY.

### Dimensions (mm)



### Operational limits

MODELS	806TS-0270
Max. range of radio (m)	50 ÷ 150

### Technical characteristics

MODELS	806TS-0270
Combinations	4.294.967.896
Radio signal frequency (Mhz)	433,92
Operating temperature (°C)	-20 ÷ +55
Material	POLYCARBONATE

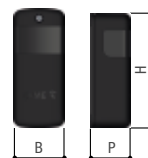
## DXR BUS

Rotational Photocells



- Control the gate's area of movement
- Infrared beam swivels up to 180° on its vertical axis.
- It can synchronize up to eight pairs of photocells, with no disturbances, plus no wiring required between the transmitter and the receiver.
- Infrared beam range adjustment.
- Filter function to prevent false detections due to bad weather or direct sunlight.

### Dimensions (mm)



### Operational limits

MODELS	806TF-0110
Max. range of radio (m)	20

### Technical characteristics

MODELS	806TF-0110
Protection rating (IP)	54
Power supply (V)	CXN BUS
Absorption	-
Max. rating of 24 V (A) relay contacts	-
Operating temperature (°C)	-20 ÷ +55
Material	ABS