

Datasheet

CUBEPOWER - 1-Relay Receiver with Remote Programming

Product Description

The CUBEPOWER is a radio receiver mobile connection that is part of the CUBE X series. It is compatible with the full range of CDVI transmission solutions that utilise the KeeLoq® hopping code security protocol.

The receiver is programmed and controlled remotely via the InstallerCUBE app available on iOS and Android. Another app is also available for end users specifically, allowing them direct access (UserCUBE). The CUBE X system also features relay triggering possibilities through NFC tags and mobile credentials for even faster access.

The receiver uses 12-24Vac/dc power supply with automatic power detection.



Key Features


- Remotely programmable receiver
- Memory capacity up to to 250 transmitters and 100 smartphones
- 1 relay
- KeeLoq® hopping code
- Easy to set up and program through the InstallerCUBE app
- NFC tags and mobile credentials available
- No need to access the receiver once installed

 Certification

 DEEE

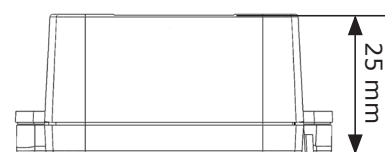
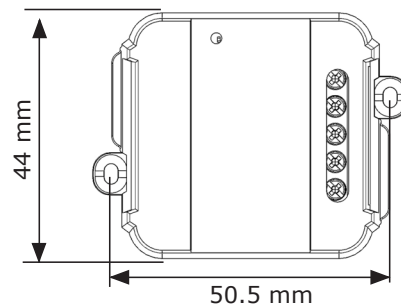
RoHS Certification

 IP2X

 -20°C to 65°C

Product Specifications

Material:	ABS
Technology:	Radio & smartphone
Type:	Superheterodyne
Operating mode:	Pulse, Latch, Timed
Frequency:	433.92MHz
Modulation:	AM/ASK
Encoding:	KeeLoq® hopping code
Memory:	Up to 250 transmitters Up to 100 smartphone user codes
Release time:	1sec - 23h:59m:59s
Code combinations:	2 ⁶⁴
Relays:	1
Contacts:	C/NO/NC
Weight:	0.047 kg



Electrical Specifications

Power supply:	12-24Vac/dc (autodetect)
Max power on output:	NO: 10A @ 30Vdc NC: 6A @ 30Vdc
Consumption:	120mA @ 12Vac (500mA at power up)

Accessories



S1TR2641E1

1-button hand-held transmitter,
433.92MHz



CMC10

10 mobile credentials licence
card for CUBE X

Start configuring your receiver today!



INSTALLERCUBE



**Download
InstallerCUBE**





USERCUBE