

2321



THE POWER TO SECURE

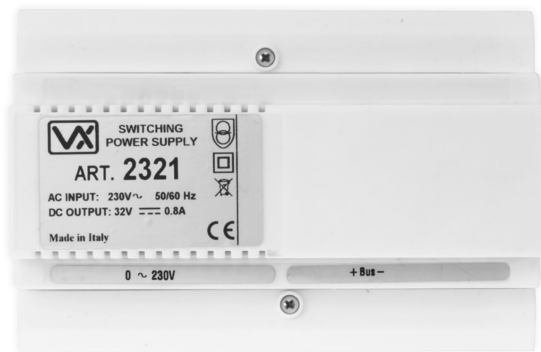
VX2300 Power supply for 2 wire BUS system



The Art.2321 power supply has been designed for the VX2300 "true" two wire BUS system and directly supplies the two wire BUS voltage (32Vdc).

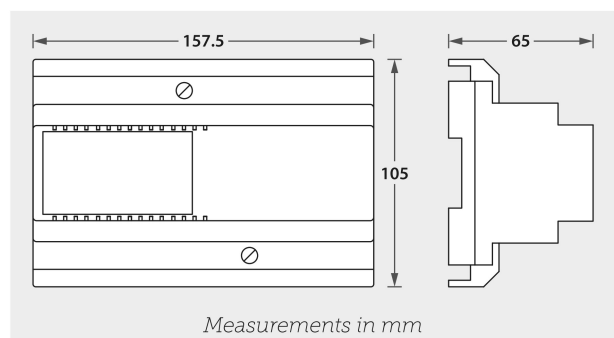
It can be used for 1 entrance systems with up to 20 users and also for use with **ESVKC** and **ESVKX** two wire BUS videokits.

The power supply can also be used as a local power supply for all VX2300 system videophones.



Technical characteristics

Description	VX2300 system "true" two wire BUS power supply
Mains input	230Vac (50/60Hz) mains input
Output voltage	32Vdc (BUS+ / BUS-) BUS voltage
Current	0.8A
Protection	Internal PTC protection against short circuit
Power rating	25W (approx.)
Module enclosure	9 modules A type DIN box
Enclosure material	White high impact ABS plastics
Mounting	Surface: DIN rail or fix directly to the wall
Dimensions (mm)	105 (W) x 157.5 (L) x 65 (D)
Working temperature	-20°/+60°C



VIDEX SECURITY LTD.

Main UK Office

1 Osprey, Trinity Park, Trinity Way,
London, E4 8TD
tel: 0370 300 1240

www.videxuk.com

Northern UK Office

Unit 4-7 Chillingham Ind. Estate, Chapman Street,
Newcastle Upon Tyne, NE6 2XX
tel: 0370 300 1240

sales@videxuk.com

