

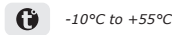
QUICK START GUIDE

1] PRODUCT PRESENTATION

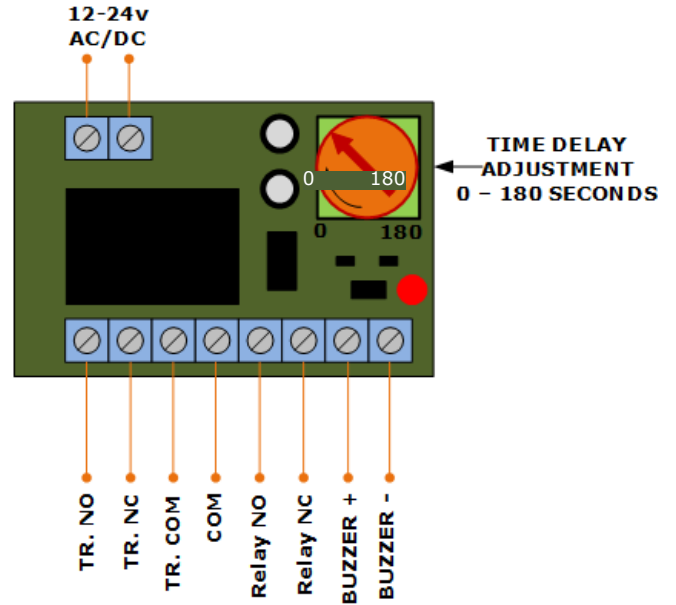
The TPG1 provides a simple solution to a variety of access control requirements for timed unlocking or locking with its adjustable 0 – 180 second time period.

The unit is equipped with common, normally closed and normally open contacts and can be triggered via a positive or negative pulse. It includes a 12Vdc buzzer output that follows the activation time.

Feature	Description
Timer	0-180 sec
Lock mode	Suited for fail safe and fail secure locking requirements
Contact	COM/NO/NC
Weight	26 gr
Power input	12-24 Vac/dc
Contact rating	10A @ 230Vac 10A @ 30Vdc 15A @ 115Vac
Buzzer output	12Vdc



2] TERMINAL DESCRIPTIONS



3] WIRING DIAGRAM

