

# XRF-R.2

Part No. 407692

DATASHEET

Receiver to wireless transmission system of ExpertSystem

## Receiver with two safety outputs

### Mechanical data

|                     |  |
|---------------------|--|
| Dimensions          | 121 x 75 x 24 mm   |
| Material (housing)  | ASA light grey   |
| Terminals           | 12, push-in spring connection<br>conductor cross section 0.25 – 0.75 mm <sup>2</sup> |
| Cable strain relief | Built in (for cable-Ø 3.1 to 5.2 mm)   |
| Weight in gr        | 200  |

### Electrical data

|                                      |   |
|--------------------------------------|---|
| Supply voltage                       | 12-36 V ACDC, 48-62 Hz                            |
| Power consumption                    | 0.7 W at 12 V, 1.0 W at 36 V                      |
| Test input (for Cat. 2 applications) | 12-36 V ACDC, 5.5 mA at 24 V                      |
| Sensor memory                        | 2 x 7 sensor elements                             |
| Outputs                              | 2 x 2 relays 36 V ACDC, 1 A                       |
| Options                              | NO with parallel resistor 8,2 kOhm<br>NC          |
| Displays                             | 2 LEDs bicoloured<br>(status output, programming) |
| Joystick (for pairing)               | 5 positions                                       |
| Dip-switch (test input)              | factory setting: OFF (= high active)              |

### In combination with XRF transmitters

|                        |  |
|------------------------|--|
| Range in m             | 100 at optimum conditions              |
| Reaction time          | Typ. 15 ms                             |
| Communication          | Bidirectional                          |
| Operating frequency    | 868.3 MHz                              |
| Radiated power         | < 10 dbm / 10 mW                       |
| Low battery indication | Acoustic and optical (on the receiver) |

### Approvals

|  |   |
|--|---|
| EN 300 220, EN 301 489                 |   |
| EN ISO 13849-1 (PLd, Cat.3, MTTFd 153) | Add. Test input for Cat. 2 applications |

### Ambient conditions

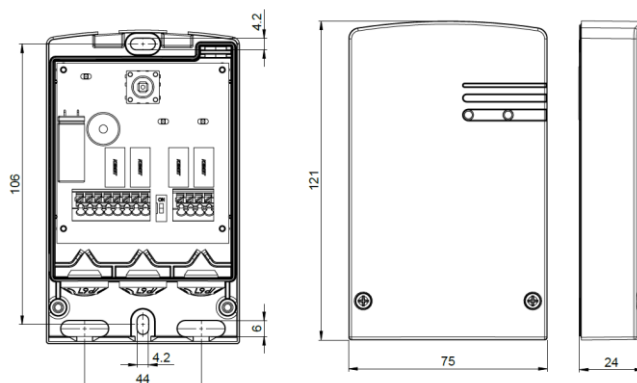
|                       |                       |
|-----------------------|-----------------------|
| Protection category   | IP65                  |
| Operating temperature | -20°C to +60°C        |
| Storage temperature   | -40°C to +80°C        |
| Rel. air humidity     | < 95%, non-condensing |



### Box contents

Receiver, 6 instruction manuals (DE, EN, FR, IT, NL, SV), mounting material

### Dimensions



# XRF-T.2

Part No. 407666

DATASHEET

Transmitter to wireless transmission system of ExpertSystem

## Transmitter with two programmable inputs for safety edges

### Mechanical data

|                     |   |
|---------------------|---|
| Dimensions          | 121 x 50 x 23 mm  |
| Material (housing)  | ASA light grey  |
| Terminals           | 4, push-in spring connection<br>conductor cross section 0.25 – 0.75 mm <sup>2</sup> |
| Cable strain relief | Built in (for cable-Ø 3.1 to 5.2 mm)  |
| Weight in gr        | 150   |

### Electrical data

|  |   |
|--|---|
| Supply voltage                             | Lithium battery 3 V (CR2450N)                                     |
| Battery life                               | Typ. 1.2 years (type: RENATA)                                     |
| Inputs                                     | 2, programmable for safety edge (8.2 kOhm)<br>or contact NC or NO |
| Thresholds (upper / lower switching value) | > 12.2 kOhm / < 5.9 kOhm  |
| Available codes                            | 65'536  |
| Push button                                | for pairing   |
| Dip-switches (8k2, NO-NC)                  | 2, factory setting: ON, OFF                                       |
| LED red                                    | flashes when actuated   |

### In combination with an XRF receiver

|                        |  |
|------------------------|--|
| Range in m             | 100 at optimum conditions              |
| Reaction time          | Typ. 15 ms                             |
| Communication          | Bidirectional                          |
| Operating frequency    | 868.3 MHz                              |
| Radiated power         | < 10 dbm / 10 mW                       |
| Low battery indication | Acoustic and optical (on the receiver) |

### Approvals

|  |
|--|
| EN 300 220, EN 301 489                 |
| EN ISO 13849-1 (PLd, Cat.3, MTTFd 640) |

### Ambient conditions

|                       |                       |
|-----------------------|-----------------------|
| Protection category   | IP65                  |
| Operating temperature | -20°C to +60°C        |
| Storage temperature   | -40°C to +80°C        |
| Rel. air humidity     | < 95%, non-condensing |



### Box contents

Transmitter, 1 battery CR2450N, instruction manuals (supplementary sheets, in DE, EN, FR, IT, NL, SV), mounting material

### Dimensions

