

230_{VAC}

BILL50M

BILL50ML

**CONTROL UNITS:**

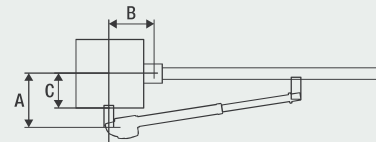
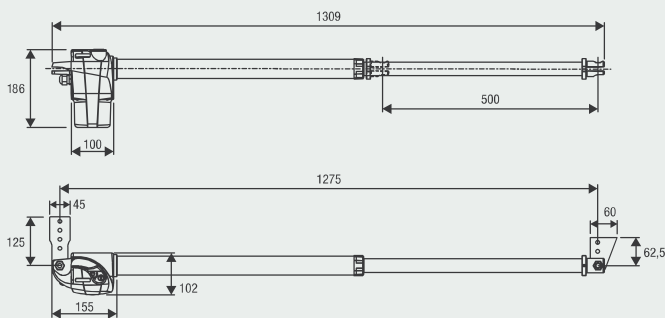
BILL50M		BRAINY	134
		HEADY	135
BILL50ML		BRAINY	134
		HEADY	135

LINEAR TELESCOPIC OPERATOR

personalised release key

up to 4.5 m**230 Vac**

- Irreversible 230 Vac electromechanical geared motor with easy access release from above
- Neat design and size, particularly suited to forged iron gates
- Easy and quick to install due to compact size and installation geometry
- Worm protected by a scraper ring and stainless steel stem, suitable for use in dusty and sandy environments or where there are aggressive atmospheric agents
- Available in right or left version
- BILL50ML version for large doors and confined installation geometry



A (mm)	B (mm)	C (mm)
120-250	120-250	80-190

COMPLETE KITS

MOTORS

KBILL50M2x **BILL50M**

CONTROL UNIT

1x **HEADY**

PHOTOCELLS

1x **PUPILLA.R**

FLASHING LIGHT

1x **LAMPL.ED**

SELECTOR

1x **TOKEY**

TRANSMITTER

1x **TO.GO2VA**



B.SR
Multiposition brackets for one operator.



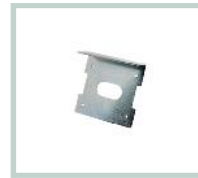
BILL50.CO
Telescopic stem cover accessory.



DU.V96
12 Vac/dc vertical electric lock, supplied with counterplate. Permits internal/external release.



DU.V90
12 Vac/dc horizontal electric lock, supplied with counterplate. Permits internal/external release.



DU.9990
Covering plate for DU.V90.



E.LOCK
230 Vac vertical electric lock, supplied with counterplate.



E.LOCKSE
Extended cylinder for E.LOCK electric lock. It allows unlocking gates up to 55mm-thick from the outside.



ID.TA
Warning board.



IRI.TX4VA
4-channel transmitter with Advanced Rolling Code and Rolling Code.



IRI.TX4AK
4-channel transmitter with Advanced Rolling Code and Fixed Code.



IRI.LAMP
White full range flashing light, 20-255 VAC with built-in aerial.



IRI.KPAD
Battery operated wireless vandal-proof digital keypad with alert buzzer and backlit buttons. Triple coding: Rolling Code, Programmable Code and Advanced Rolling Code. 254 memorisable codes.



IRI.CELL
Pair of vandal-proof metal covers for PUPILLA/PUPILLA.R photocells, comprising front and rear shells with concealed screw. They can maintain perfect orientation over 180°.



PUPILLA
Pair of photocells adjustable to 180°. Option to synchronise up to 4 pairs, 24 VAC/DC power supply. Easy adjustment through a LED that signals optimal alignment. Compact size: 36x110x35 mm

TECHNICAL DATA	BILL50M*	BILL50ML
Power supply	230 Vac (50-60Hz)	230 Vac (50-60Hz)
Motor supply	230 Vac	230 Vac
Max absorbed current	1,1 A	1,2 A
Max Thrust	2800 N	3100 N
Opening time	21"	32"
Duty cycle	30%	30%
Standard stroke	500 mm	500 mm
Max stroke	520 mm	520 mm
Protection level	IP54	IP54
Operating temperature	-20°C /+50°C	-20°C /+50°C
Leaf max dimension	4,0 m	4,5 m
Weight	6,9 kg	7,1 kg
Items no. per pallet	48	48
Kit weight	16,2 kg	---
Kits no. per pallet	30	---

* Available in 115 VAC version