



BULL1224 TURBO



COMMERCIAL USE

control unit with incorporated receiver and virtual encoder
oil lubricated reductions
personalised release key
built-in battery charger



up to 1200 kg



24 Vdc | intensive use



- Fast 24 VDC geared motor for intensive use with oil lubricated reductions, control unit equipped with switching power supply (115/230 VAC) that permits reduced power use and long lifespan of the actuator
- The main control unit, on the top part of the motor, makes it possible to facilitate the wiring procedure and also to calculate the position of the motor starting from the measurement of instantaneous speed (virtual encoder)
- The virtual encoder allows proper management of the slowing-down phases, movement tracking (STC system), and torque management in relation to the position of the gate, which guarantees maximum safety
- Self-programming with transmitter can be activated at the first installation. Practical cableguides
- **Maximum performance and speed (24 m/min with 1200 kg)**
- Anti-crushing system with amperometric obstacle detection
- Safety sensor that stops the motor power supply during release operations
- Designed for connection to the X.BE module to integrate the device into KNX home automation systems
- Convenient compartment for 2 mod. DA.BT6 7 Ah batteries
- Metal release lever
- Option to operate opposed sliding gates using the SIS accessory
- Version available with magnetic limit switches (BULL1224 TURBO.S)



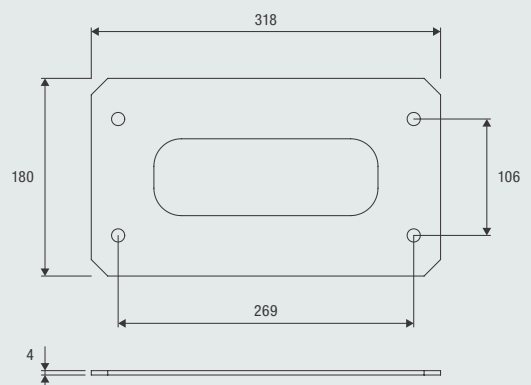
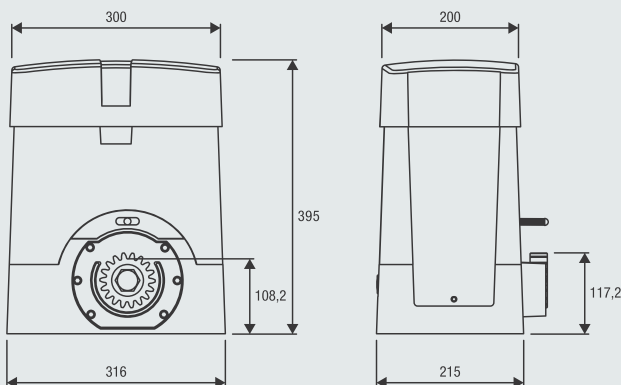
CONTROL UNITS:

BULL1224 TURBO — CP.B24 TURBO 163

BULL1224 TURBO.S — CP.B24 TURBO 163



Foundation plate with anchor bolts included.
Motor and floor fixing distance
269 mm x 106 mm, no. 4 Ø 12 mm.





RI.M4F
M4 rack, to weld or attach with screws, 30x12x1000 mm slotted and galvanised. Supplied with M6 metric screws and threaded spacers.
Package of 4 pcs.



RI.M4Z
M4 galvanised rack to weld 22x22x2000 mm.
Package of 2 pcs.



RI.M4ZF
Galvanised slotted M4 rack 22x22x2010 mm for fastening to the side with the teeth. Supplied with M6 screws.
Package of 1 pc.



RI.M6Z
M6 galvanised rack to weld 30x30x2000 mm. Requires pinion RI.P6.



RI.P6
M6 gear, it needs the rack RI.M6Z.



BULL.PI
Raised foundation plate. Height 32 mm. Floor fixing distance 280x170 mm, no. 4 Ø 11 mm, motor fixing distance 269x106 mm n.4 M10.



SB.BULL20.F
Externally fitted anti-intrusion cable unlock device (L=4.5m).



X.BE
Electronic interface board between the KNX communication system and Benincà automation devices.



RF.SUN
Battery-operated device recharged by means of a photovoltaic panel applied on a mobile edge.



RF
Device with a non rechargeable battery, with guaranteed duration 2 years.



SC.RF
Device powered at 12/24 Vdc with self-test function and 2 outputs for connection to the electronic control units.



IRI.TX4VA
4-channel transmitter with Advanced Rolling Code and Rolling Code.

IRI.TX4AK
4-channel transmitter with Advanced Rolling Code and Fixed Code.



IRI.LAMP
White full range flashing light, 20-255 VAC with built-in aerial.



IRI.KPAD
Battery operated wireless vandal-proof digital keypad with alert buzzer and backlit buttons. Triple coding: Rolling Code, Programmable Code and Advanced Rolling Code. 254 memorisable codes.



IRI.CELL
Pair of vandal-proof metal covers for PUPILLA/PUPILLA.R photocells, comprising front and rear shells with concealed screw. They can maintain perfect orientation over 180°.



PUPILLA
Pair of photocells adjustable to 180°. Option to synchronise up to 4 pairs, 24 VAC/DC power supply. Easy adjustment through a LED that signals optimal alignment. Compact size: 36x110x35 mm



BULL1224T.CB
Kit comprising 5 cables and 5 brackets for battery installation and operation even in the event of a power failure.



SIS
Quick connection electronic board that allows synchronised movement of 2 automation devices (opposed sliding gates). One board for each motor is necessary.

TECHNICAL DATA	BULL1224 TURBO	BULL1224 TURBO.S
Power supply	115 Vac / 230 Vac (50-60Hz)	115 Vac / 230 Vac (50-60Hz)
Motor supply	24 Vdc	24 Vdc
Max absorbed current	3 A	3 A
Power consumption in stand-by	8 mA	8 mA
Max Thrust	390 N	390 N
Opening speed	12.5÷24 m/min	12.5÷24 m/min
Duty cycle	80%*	80%*
Protection level	IP44	IP44
Magnetic limit switches	NO	YES
Operating temperature	-20°C /+50°C	-20°C /+50°C
Max gate weight	1200 kg	1200 kg
Driving gear for rack	M4 Z18	M4 Z18
Weight	17.3 kg	17.4 kg
Items no. per pallet	20	20

* In extreme operating conditions (environment T 50°C, speed 24 m/min, gate weight 1200 kg) the cycle falls to 40%