



230_{VAC}

BULL15M



COMMERCIAL USE

control unit with built-in encoder and receiver
personalised release key



up to 1500 kg



CONTROL UNITS:

BULL15M ——— CP,BULL-RI 151

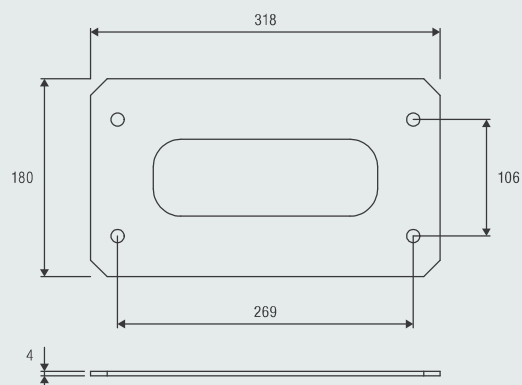
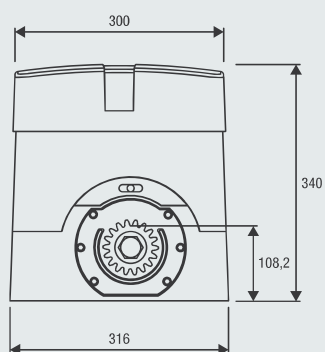
BULL15M.S ——— CP,BULL-RI 151



230 Vac

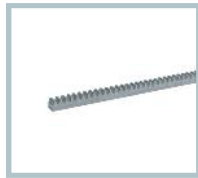
- 230 Vac geared motor with built-in control unit and encoder
- The encoder device ensures crush prevention and precision in the gate moving phases
- Metal release lever
- Version equipped with magnetic limit switches available (BULL15M.S)

Foundation plate with anchor bolts included.
Motor and floor fixing distance
269 mm x 106 mm, no. 4 Ø 12 mm.





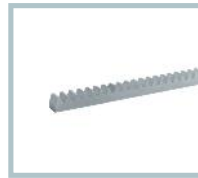
RI.M4F
M4 rack, to weld or attach with screws, 30x12x1000 mm slotted and galvanised. Supplied with M6 metric screws and threaded spacers.
Package of 4 pcs.



RI.M4Z
M4 galvanised rack to weld 22x22x2000 mm.
Package of 2 pcs.



RI.M4ZF
Galvanised slotted M4 rack 22x22x2010 mm for fastening to the side with the teeth. Supplied with M6 screws.
Package of 1 pc.



RI.M6Z
M6 galvanised rack to weld 30x30x2000 mm. Requires pinion RI.P6.



RI.P6
M6 gear, it needs the rack RI.M6Z.



BULL.PI
Raised foundation plate. Height 32 mm. Floor fixing distance 280x170 mm, no. 4 Ø 11 mm, motor fixing distance 269x106 mm n.4 M10.



SB.BULL20.F
Externally fitted anti-intrusion cable unlock device (L=4.5m).



ID.TA
Warning board.



IRI.TX4VA
4-channel transmitter with Advanced Rolling Code and Rolling Code.



IRI.TX4AK
4-channel transmitter with Advanced Rolling Code and Fixed Code.



IRI.LAMP
White full range flashing light, 20-255 VAC with built-in aerial.



IRI.KPAD
Battery operated wireless vandal-proof digital keypad with alert buzzer and backlit buttons. Triple coding: Rolling Code, Programmable Code and Advanced Rolling Code. 254 memorisable codes.



IRI.CELL
Pair of vandal-proof metal covers for PUPILLA/PUPILLA.R photocells, comprising front and rear shells with concealed screw. They can maintain perfect orientation over 180°.



PUPILLA
Pair of photocells adjustable to 180°. Option to synchronise up to 4 pairs, 24 VAC/DC power supply. Easy adjustment through a LED that signals optimal alignment. Compact size: 36x110x35 mm



DA.2S
Electronic board that allows synchronised movement of 2 automation devices (opposed sliding gates).

TECHNICAL DATA	BULL15M*	BULL15M.S*
Power supply	230 Vac (50-60Hz)	230 Vac (50-60Hz)
Motor supply	230 Vac	230 Vac
Max absorbed current	2,5 A	2,5 A
Max Thrust	1250 N	1250 N
Opening speed	10,5 m/min	10,5 m/min
Duty cycle	60%	60%
Protection level	IP44	IP44
Magnetic limit switches	NO	YES
Operating temperature	-20°C /+50°C	-20°C /+50°C
Max gate weight	1500 kg	1500 kg
Driving gear for rack	M4 Z18	M4 Z18
Weight	19,6 kg	20,1 kg
Items no. per pallet	20	20

* Available in 115 VAC version