

# BXV 8K01MS-0616



CAME 



## 24V SLIDING GATE KIT

Up to 600kg @ 18m



| Code   | Description   | Quantity |
|--|---|----------|
| <b>801MS-0190</b><br> | BXV06AGF - Operator with 24 V motor, featuring a control board with display, on-board radio decoding, movement and obstruction detecting device for sliding gates weighing up to 600 kg that are up to 18-m long. RAL7024-gray cover (Rapid version up to 20 m/min.). | 1        |
| 001 <b>AF43S</b>   | Plug-in radio-frequency control card  | 1        |
| <b>806TS-0270</b>  | TOP44RBN - Four-channel 433.92 MHz rolling code transmitter. 4,294,967,896 combinations.  | 2        |
| 001 <b>TOP-A433N</b>   | Tuned Antenna.  | 1        |
| 001 <b>DIR20</b><br>  | Pair of 12 - 24 V AC - DC outdoor photocells – range 20 m.  | 1        |



# BXV06AGF

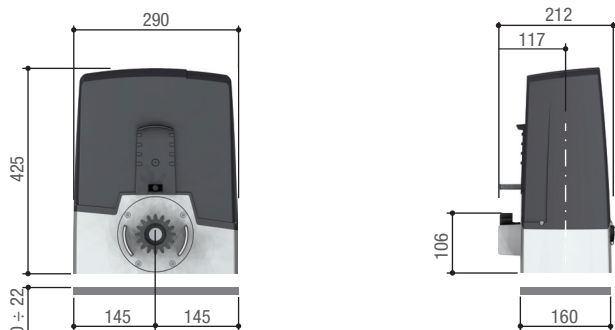
Up to 600 kg - Rapid tall version for increased battery capacity



## Ideal solution for connected sliding gates in homes and apartment blocks

- Encoder control.
- Complies with current standards on impact forces.
- Can operate in emergency mode during power outages.
- Can retrofit magnetic limit-switches and heater for extreme weather conditions.
- Electronic board, with separate terminal blocks and display, to facilitate start-up and diagnosis phases. Storing for up to 250 different users.
- Radio programming Rolling code and integrated Key Code (Twin).
- Management of the Rio series wireless security accessories using the dedicated plug-in accessory.
- Testing of safety circuits for CAT 2 safety products – whether wireless or not.
- Devices developed for connection to the cloud, via GAME Connect.
- Used to directly manage GATE key pads using the R800 accessory or connect GATE transponder selectors using the R700 accessory.
- Connection used with the RSE accessory.

## Dimensions (mm)



## Battery type

| MODEL      | BATTERY TYPE (not supplied) |
|------------|-----------------------------|
| 801MS-0190 | 2 x 12 V - 5 Ah             |

## Operational limits

| MODEL                    | 801MS-0190 |
|--------------------------|------------|
| Max. length of leaf (m)  | 18         |
| Max. weight of leaf (kg) | 600        |

## Technical characteristics

| MODEL                       | 801MS-0190         |
|-----------------------------|--------------------|
| Protection rating (IP)      | 44                 |
| Power supply (V - 50/60 Hz) | 230 AC             |
| Power supply to motor (V)   | 24 DC              |
| Absorption (A)              | 10 MAX             |
| Maneuvering speed (m/min)   | 240                |
| Duty/cycle (%)              | HEAVY-DUTY SERVICE |
| Power (W)                   | 330                |
| Thrust (N)                  | -20 ÷ +55          |
| Operating temperature (°C)  | -20 ÷ +55          |

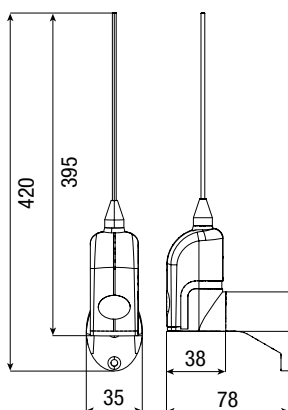
# ACCESSORIES

## TOPA433N

Tuned Antenna for 433.92Mhz



### Dimensions (mm)



### Operational limits

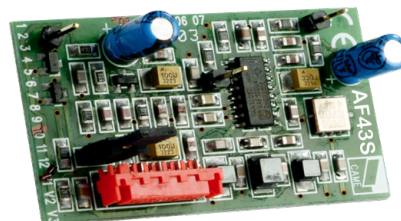
| MODELS                  | TA433N   |
|-------------------------|----------|
| Max. range of radio (m) | 50 ÷ 150 |

### Technical characteristics

| MODELS                       | TA433N    |
|------------------------------|-----------|
| Radio signal frequency (Mhz) | 433.92Mhz |

## AF43S

Radio frequency control card 433.92MHz



- Dip-switches for code and function selection
- Function enabling button
- Red signalling LED
- Green signalling LED
- Backup board
- Plug-in connector on receivers

### Technical characteristics

| MODELS                     | AF43S      |
|----------------------------|------------|
| Power supply (V±10%)       | 5          |
| Current draw (mA)          | 5.5        |
| Encoding type              | ASK        |
| Operating temperature (°C) | -20 to +55 |
| Sensitivity (dBm)          | -107       |

## TOP44RBN

Rolling code 433.92 radio control



- Self-learning from transmitter to transmitter.
- Self-learning from TOP, TAM and TWIN series radio controls.
- More secure thanks to the dynamic code for the rolling code version.
- It can be configured remotely via gateway or locally via GAME KEY.

### Dimensions (mm)



### Operational limits

| MODELS                  | 806TS-0270 |
|-------------------------|------------|
| Max. range of radio (m) | 50 ÷ 150   |

### Technical characteristics

| MODELS                       | 806TS-0270    |
|------------------------------|---------------|
| Combinations                 | 4.294.967.896 |
| Radio signal frequency (Mhz) | 433,92        |
| Operating temperature (°C)   | -20 ÷ +55     |
| Material                     | POLYCARBONATE |

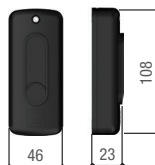
## DIR20

Photocells



- Control the gate's area of movement
- Infrared beam, even synchronised, to prevent any external signal disturbances.
- For the DIR series photocells, there is a double-height post, and a new PVC version of the post, for installing in entry and exit points where heavy vehicles drive through.
- High degree of protection against weathering.

### Dimensions (mm)



### Operational limits

| MODELS                  | DIR20 |
|-------------------------|-------|
| Max. range of radio (m) | 20    |

### Technical characteristics

| MODELS                                 | DIR20               |
|--|---------------------|
| Protection rating (IP)                 | 54                  |
| Power supply (V)                       | 12 - 24 AC - DC     |
| Absorption                             | 60                  |
| Max. rating of 24 V (A) relay contacts | 0,5                 |
| Operating temperature (°C)             | -20 ÷ +55           |
| Material                               | ABS - POLYCARBONATE |