

BXV 8K01MS-0618

CAME 





24V SLIDING GATE KIT

Up to 1000kg @ 20m



We would always advise you to spec your jobs with safety edges. When you see this symbol it is imperative that at least one is used.



Code	Description	Quantity
801MS-0250 	BXV10AGF - Operator with 24 V motor, featuring a control board with display, on-board radio decoding, movement and obstruction detecting device for sliding gates weighing up to 1,000 kg that are up to 20-m long. RAL7024-gray cover (Rapid version up to 20 m/min.).	1
001 AF43S	Plug-in radio-frequency control card	1
806 TS-0270	TOP44RBN - Four-channel 433.92 MHz rolling code transmitter. 4,294,967,896 combinations.	2
001 TOP-A433N	Tuned Antenna.	1
001 DIR20 	Pair of 12 - 24 V AC - DC outdoor photocells – range 20 m.	1



BXV10AGF

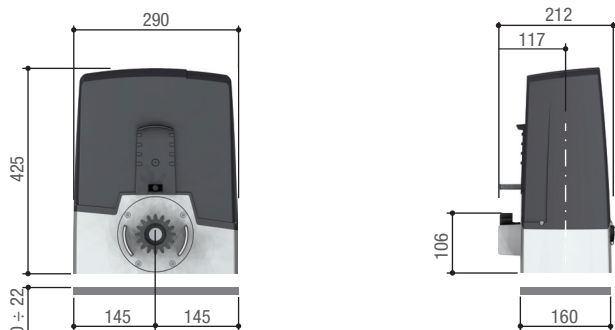
Up to 1000 kg - Rapid tall version for increased battery capacity



Ideal solution for connected sliding gates in homes and apartment blocks

- Encoder control.
- Can operate in emergency mode during power outages.
- Can retrofit magnetic limit-switches and heater for extreme weather conditions.
- Electronic board, with separate terminal blocks and display, to facilitate start-up and diagnosis phases. Storing for up to 250 different users.
- Radio programming Rolling code and integrated Key Code (Twin).
- Management of the Rio series wireless security accessories using the dedicated plug-in accessory.
- Testing of safety circuits for CAT 2 safety products – whether wireless or not.
- Devices developed for connection to the cloud, via CAME Connect.
- Used to directly manage CAME key pads using the R800 accessory or connect CAME transponder selectors using the R700 accessory.
- Connection used with the RSE accessory.

Dimensions (mm)



Battery type

MODEL	BATTERY TYPE (not supplied)
801MS-0250	2 x 12 V - 5 Ah

Operational limits

MODEL	801MS-0250
Max. length of leaf (m)	20
Max. weight of leaf (kg)	1000

Technical characteristics

MODEL	801MS-0250
Protection rating (IP)	44
Power supply (V - 50/60 Hz)	230 AC
Power supply to motor (V)	24 DC
Absorption (A)	16 MAX
Maneuvering speed (m/min)	360
Duty/cycle (%)	HEAVY-DUTY SERVICE
Power (W)	450
Thrust (N)	-20 ÷ +55
Operating temperature (°C)	-20 ÷ +55

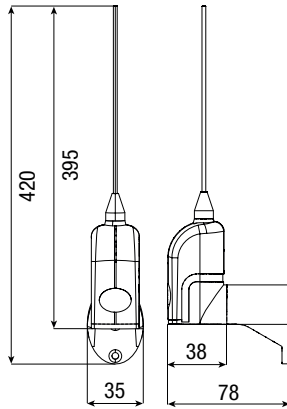
ACCESSORIES

TOPA433N

Tuned Antenna for 433.92Mhz



Dimensions (mm)



Operational limits

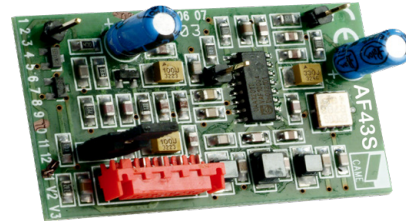
MODELS	TA433N
Max. range of radio (m)	50 ÷ 150

Technical characteristics

MODELS	TA433N
Radio signal frequency (Mhz)	433.92Mhz

AF43S

Radio frequency control card 433.92MHz



- Dip-switches for code and function selection
- Function enabling button
- Red signalling LED
- Green signalling LED
- Backup board
- Plug-in connector on receivers

Technical characteristics

MODELS	AF43S
Power supply (V±10%)	5
Current draw (mA)	5.5
Encoding type	ASK
Operating temperature (°C)	-20 to +55
Sensitivity (dBm)	-107

TOP44RBN

Rolling code 433.92 radio control



- Self-learning from transmitter to transmitter.
- Self-learning from TOP, TAM and TWIN series radio controls.
- More secure thanks to the dynamic code for the rolling code version.
- It can be configured remotely via gateway or locally via GAME KEY.

Dimensions (mm)



Operational limits

MODELS	806TS-0270
Max. range of radio (m)	50 ÷ 150

Technical characteristics

MODELS	806TS-0270
Combinations	4.294.967.896
Radio signal frequency (Mhz)	433,92
Operating temperature (°C)	-20 ÷ +55
Material	POLYCARBONATE

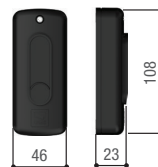
DIR20

Photocells



- Control the gate's area of movement
- Infrared beam, even synchronised, to prevent any external signal disturbances.
- For the DIR series photocells, there is a double-height post, and a new PVC version of the post, for installing in entry and exit points where heavy vehicles drive through.
- High degree of protection against weathering.

Dimensions (mm)



Operational limits

MODELS	DIR20
Max. range of radio (m)	20

Technical characteristics

MODELS	DIR20
Protection rating (IP)	54
Power supply (V)	12 - 24 AC - DC
Absorption	60
Max. rating of 24 V (A) relay contacts	0,5
Operating temperature (°C)	-20 ÷ +55
Material	ABS - POLYCARBONATE